



MOSQUITO MAGNET[®]

Advanced Mosquito Defense Systems

Silent and Odorless

24/7 protection.

1 Acre Range

To protect your family and pets.

Cordless Design

For easy yard placement.



Liberty Plus

Ideal for large yards and pool areas.

*For Outdoor Use Only
1440-604 Rev. E*

Operation Manual

GAS-FIRED
UL[®] US
LISTED
Gas Fired Insect
Control Equipment
47WB

Welcome

Congratulations on your purchase of Mosquito Magnet®. Now you can begin to enjoy your outdoor living space again.

Mosquito Magnet is the #1 mosquito trap in North America. Backed by 17 years of research and testing, Mosquito Magnet is scientifically proven to effectively reduce mosquitoes & other biting insects from your yard.

Mosquito Magnet is easy to use. The enclosed CD-ROM provides key information for getting started. In this manual, you'll learn everything you need to know about how it works, optimal trap placement, maintenance, storage and warranty information. The keys to success are trap placement, utilizing the correct attractant for your area and routine maintenance. For optimal catch rate, you'll need to change the propane tank and attractant every 21 days and use the Quick Clear cartridge every other tank change.

Our Customer Care line is available to answer all your questions regarding your new purchase. Please feel free to contact us...

Customer Care: 1-800-953-5737

Hours of Operation: Monday –Friday 8:30 AM – 8:00 PM (EST)
Saturday 8:30am – 5:00pm (EST)

Visit us online at www.mosquitomagnet.com for additional information regarding Mosquito Magnet, tips, testimonials, and additional product offerings.

Woodstream® Corporation

69 North Locust Street
Lititz, PA 17543
1-800-953-5737
www.mosquitomagnet.com

Patents:

USA: Nos. 6,145,243; 6,286,249; 6,817,140; 6,840,005;
6,848,466; 7,243,457 and 7,281,351

Canada: Nos. 2,265,944 and 2,322,038

Europe: Nos. 1,011,324; 1,049,373 and 1,432,304

Other patents pending

Made in the USA

FOR YOUR SAFETY

If you smell gas:

1. Shut off the gas to the appliance.
2. Extinguish any open flame.
3. Open lid.
4. If odor continues, immediately call your gas supplier or your fire department.

FOR YOUR SAFETY

1. Do not store or use gasoline or other flammable vapors and liquids in the vicinity of this or any other appliance.
2. An LP cylinder not connected for use shall not be stored in the vicinity of this or any other appliance.

Contents

Safety Instructions	3-4
Principal Parts	5
Assembly Instructions	6
Set-Up	7-10
Trap Placement	
Charging Your Liberty Plus	
Propane Tank Installation	
Using the Correct Attractant	
Octenol Attractant Installation	
Instructions	11
Starting Instructions	
When Not In Use	
End of Season Storage	
For Best Results	
Maintenance	12
Maintenance	
Propane Tank Changing Tips	
Maintenance Schedule	
Easy Quick-Clear Valve	13
Troubleshooting	14
LED Fault Codes	
Warranty	15
Product Registration	16
Questions or Comments	

Please contact Woodstream® Corporation if you have any questions or experience any problems with your Mosquito Magnet®:
1-800-953-5737

Woodstream® Corporation
69 North Locust Street
Lititz, PA 17543
www.mosquitomagnet.com

Model No.:	Liberty Plus
Serial No.:	
Type of Gas:	Propane
Manifold Pressure:	100 – 110 psi
Minimum Gas Supply Pressure:	11.0 in. WC
Input Rating:	759 Btu/Hr.
Minimum Clearances:	20 – 24"



Patented Counterflow Technology™

How the Mosquito Magnet® Works

Mosquitoes and other biting insects use the long-range attractant carbon dioxide (CO₂) to locate people. Once in close proximity, mosquitoes use short-range attractants such as scents emitted from the skin, to determine which person they are going to bite. The Mosquito Magnet mimics a human by converting propane to CO₂, with its patented catalytic conversion technology, in combination with a short-range attractant.

Attracted by the CO₂ and short-range attractant, mosquitoes and other biting insects are drawn to the Mosquito Magnet. When they reach the trap, the insects are vacuumed into a bug bag by our patented Counterflow Technology™, where they dehydrate and die within 24 hours.

The Mosquito Magnet is silent, odorless and runs 24/7. When properly placed in your yard, the **trap begins working immediately. Noticeable results can be achieved in 7 to 10 days.** To greatly reduce your biting insect population, allow 4 – 6 weeks. Leave the Mosquito Magnet out all summer long, to control the mosquito population in your yard.

Only biting insects are targeted including mosquitoes, no-see-ums, black flies and biting midges. Beneficial insects such as butterflies, bees or moths are not targeted.



Safety Instructions

Please read and follow all safety instructions and warnings.

Children and adults should be alerted to the hazards of high surface temperatures and should stay away to avoid burns or clothing ignition.

Young children should be carefully supervised when they are in the area of the heater. Keep out of reach of children.

Clothing or other flammable materials should not be hung from the heater, or placed on or near the heater.

Note: Some or all of the following required safety instructions for propane powered devices may apply to your Liberty Plus. Allow trap to cool for 5 minutes before re-starting.

Warning: Improper installation, adjustment, alteration, service or maintenance can cause injury or property damage. Read the installation, operating and maintenance instructions thoroughly before installing or servicing the Liberty Plus.

Caution: The gas pressure regulator provided with this appliance must be used. This regulator is set for an outlet pressure of 11.0 in. Water Column. The minimum inlet gas supply pressure is 11.0 in. Water Column from regulator.

- This unit is not intended to be installed in or on recreational vehicles and/or boats.
- The gas supply must be turned off at the LP-Gas supply cylinder when this appliance is not in use.
- The installation must conform with local codes or, in the absence of local codes, with the National Fuel Gas Code, ANSI Z223. 1-1998 for US and with the CAN1-B149 for Canada.
- To test for a gas leak, place soapy water around the connector, regulator, and gas hose assembly. If bubbles appear, there is a gas leak.
- Inspect the hose before each use of the unit. If it is evident there is excessive abrasion or wear, or the hose is cut, it must be replaced prior to the unit being put into operation. The replacement hose shall be that specified by the manufacturer.
- The Liberty Plus is equipped with an internal spark ignition device. Failure to follow starting procedure will result in the trap not starting.
- Installation and repair should be done by a qualified service person (find service centers on www.mosquitomagnet.com). The heater should be inspected before use and at least annually by a qualified service person. More frequent cleaning may be required as necessary. It is imperative that the control compartment, burners, and circulating air passageways of the heater be kept clean.

Safety Instructions

- Maintain adequate clearances of 20"–24" around air openings into the combustion chamber, clearances from combustible material, provisions for accessibility and for combustion and ventilating air supply. Keep the Liberty Plus area clear and free from combustible materials, gasoline, and other flammable vapors and liquids. The appliance is not to be used in locations where flammable vapor or explosive dust is likely to exist.
- Do not obstruct the flow of combustion and ventilation air.
- Keep the ventilating openings of the cylinder enclosure free and clear from debris.
- Clean the Liberty Plus with a water damp cloth, if necessary.
- A maximum of a 20 lb. LP-Gas cylinder shall be used.
- The LP-Gas cylinder must be provided with a shut-off valve terminating in an LP-Gas supply cylinder valve outlet specified for Connection No. 510 in the Standard for Compressed Gas Cylinder Valve Outlet and Inlet Connections, ANSI/CGA-V-1-1977.
- The LP-Gas cylinder supply system must be arranged for vapor withdrawal and the cylinder must include a collar to protect the cylinder valve.
- The LP-Gas cylinder used shall be constructed and marked in accordance with the specifications for LP-Gas cylinders of the U.S. Department of Transportation (DOT) or The National Standard of Canada CAN/CSA-B339.
- The Liberty Plus shall be used outdoors only in a well ventilated space and shall not be used in a building, garage, or any other enclosed area.
- The LP-Gas cylinder must be disconnected and removed from the appliance, if the appliance is stored indoors.
- LP-Gas cylinders must be stored outdoors in a well-ventilated area out of reach of children.
- Disconnected cylinders must have threaded valve plugs tightly installed and must not be stored in a building, garage, or any other enclosed area.

- The pressure regulator and hose assembly supplied with this appliance must be used for connection to the LP-Gas cylinder. Replacement pressure regulators and hose assemblies must be specified by the manufacturer.
- Avoid improper use of extension cords. Keep connections away from moisture and avoid damage to the cord.
- If the supply cord is damaged, it must be replaced by the manufacturer or its service agent or a similarly qualified person in order to avoid hazard.

Please contact Customer Care if you have any questions at:

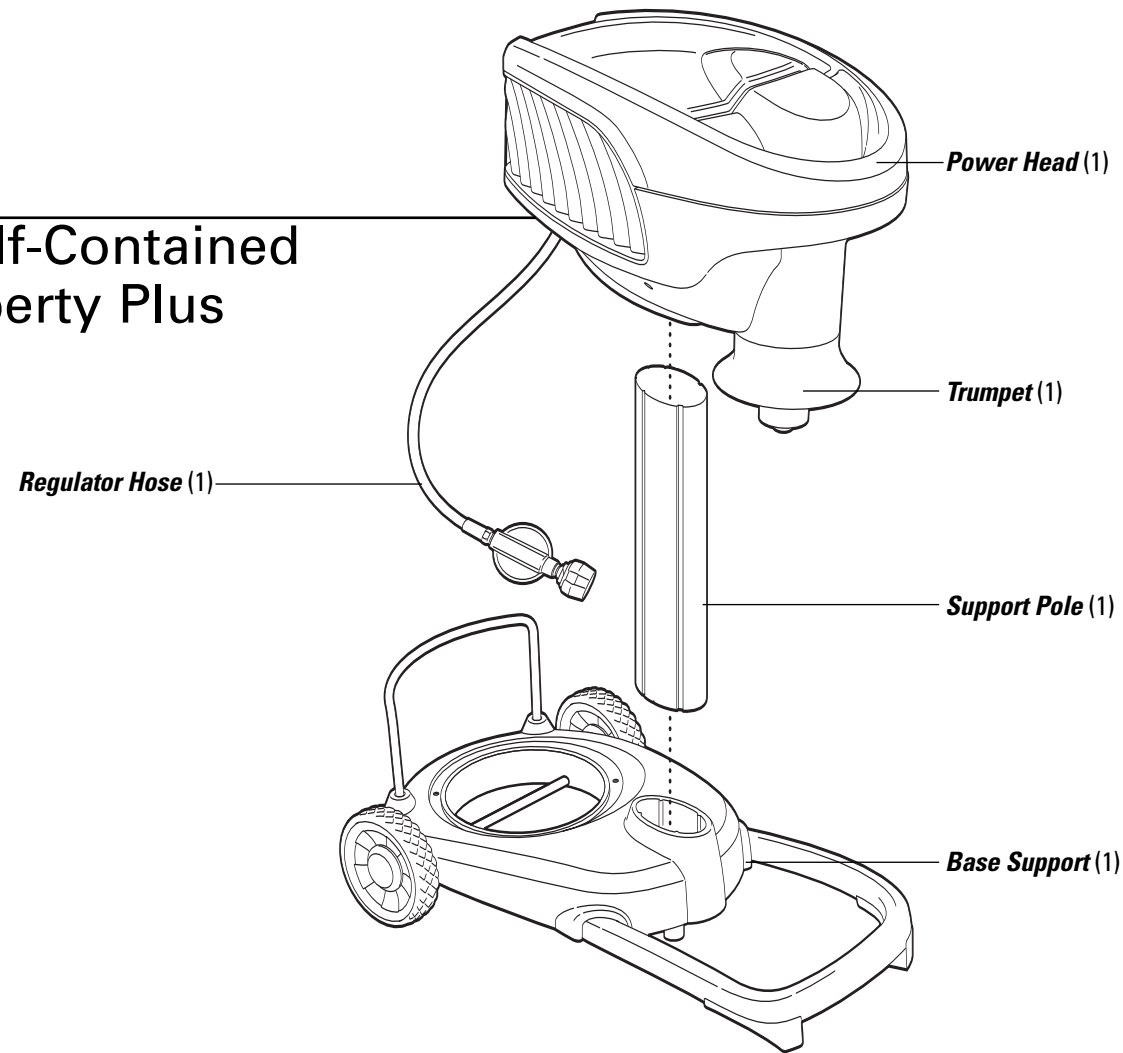
1-800-953-5737

or visit www.mosquitomagnet.com



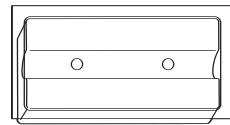
Principal Parts

Self-Contained Liberty Plus



Parts Included

Mosquito Magnet® Octenol Biting Insect Attractant
EPA Reg. No. 72563-1 (Short-Range Attractant)



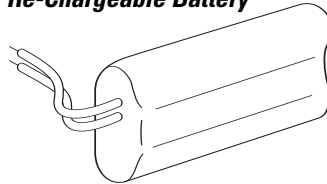
Bug Bag



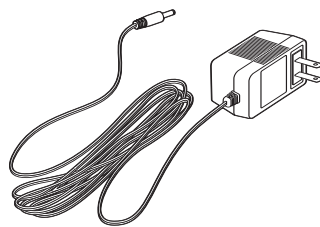
Quick Clear Adapter



Re-Chargeable Battery



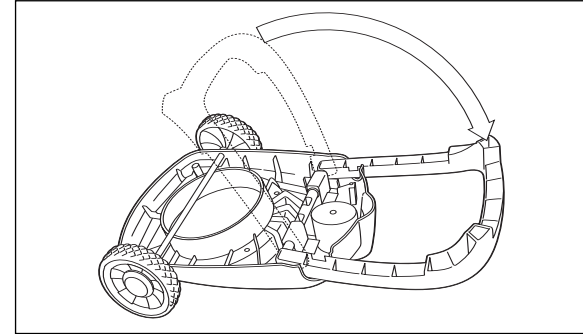
Charging Adapter



Assembly Instructions

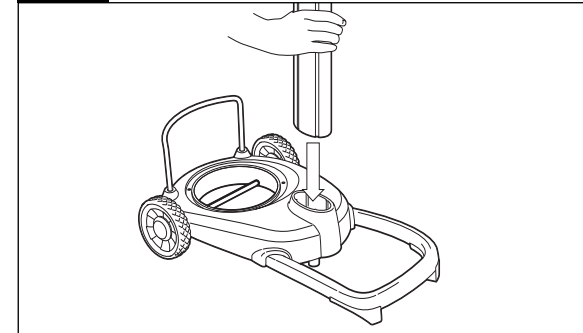
Trap Assembly:

Step 1



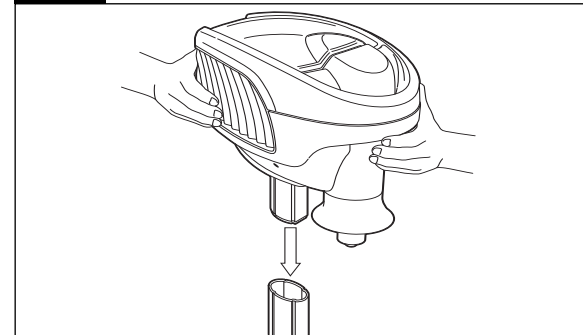
Place base upside down on a flat surface, unfold U-shaped support leg until it locks in place.

Step 2



Turn base and leg assembly right-side-up and place support pole into cavity on base.

Step 3



Place Liberty Plus power head onto pole. Press down firmly with two hands to secure.

Assembled trap should have the front of power head/trumpet placed farthest from the wheels in the same direction as base U-shaped legs.

Step 4

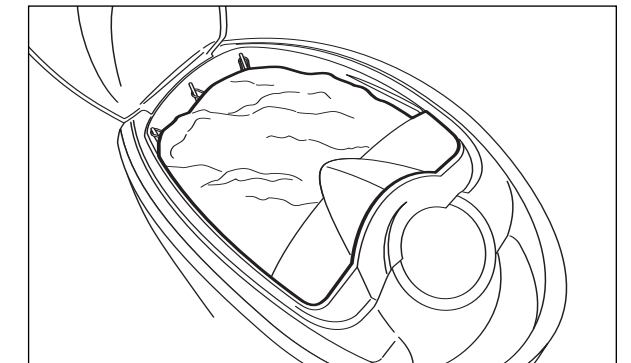
Charge Liberty Plus for 24 hours before use. See pg. 7 for further details.

NOTE: You will not need to charge it again until the following season.

Bug Bag Installation:

Lift clear plastic lid and lock plastic holding bracket of bug bag into front of compartment. Close plastic lid when finished.

Note: Fabric loops hook over plastic posts allowing bug bag to expand to its highest capacity.



Bug bag locks into front of compartment



MOSQUITO MAGNET



MOSQUITO MAGNET

Set-Up

Trap Placement

1. Determine the direction of the prevailing wind. Check local weather patterns if you are unsure.
2. Stand in the center of the area you are trying to protect and look toward the prevailing wind.
3. Proper placement of the Liberty Plus will be 30 – 40 feet in front of you, within 5-6 feet of ground cover (i.e. bushes, flowerbeds, tree line, marshbed). Ensure that trap is not directly against any blockades such as buildings, fences, etc.
4. It is recommended that the trap be placed in the shade.
5. Do not place trap directly above a water source (sprinklers, hose, etc.).
6. Trap must be placed on level ground to avoid tipping or uneven propane distribution.
7. For optimal trap placement in your yard, refer to the instructional CD-ROM included with your Liberty Plus.

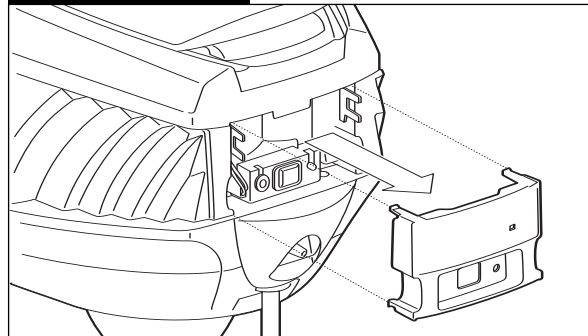


Charging your Mosquito Magnet® Liberty Plus

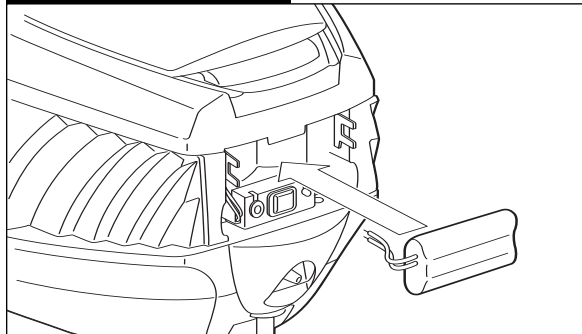
1. Remove cover panel from rear of Power Head Unit (panel snaps off).
 2. Insert and connect re-chargeable battery.
 3. Insert Charging Adapter into rear of Head Unit.
- Allow to charge for 24 hours at the beginning of each season. You will not need to charge again until next season. Replace cover panel when completed (panel snaps into place).

NOTE: Unit must be charged indoors, trap is not weatherproof with cover panel removed.

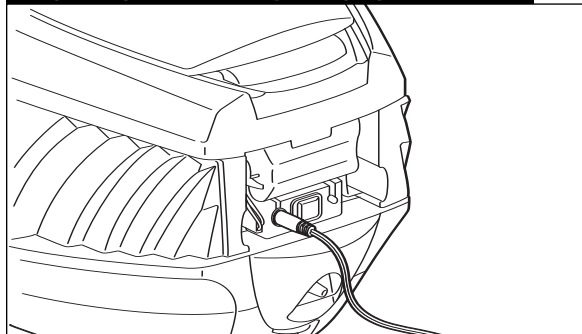
Remove Back Panel



Insert & Connect Battery



Plug Charger Into Battery Charging Powerhead



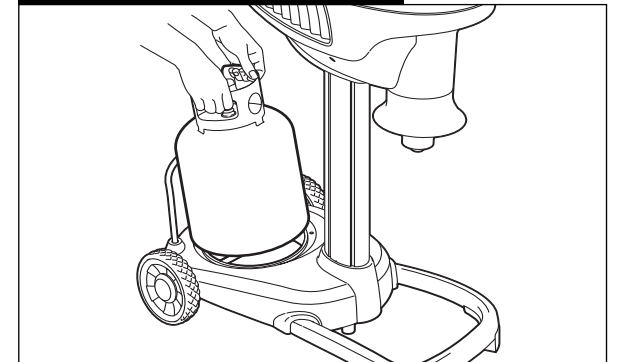
Set-Up

Propane Tank Installation

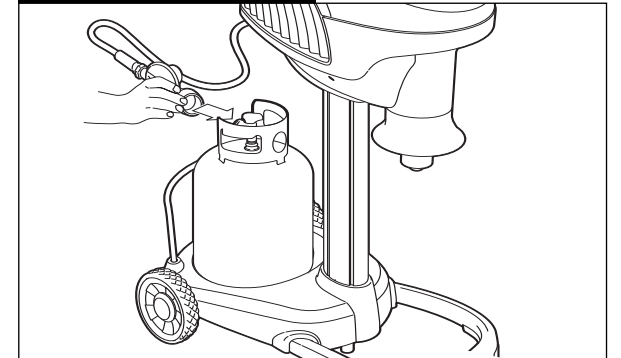
1. After trap is placed in its ideal location, place propane tank onto the molded cradle.
2. Making sure propane tank is fully closed. Attach propane regulator hose to propane tank. Secure tightly by hand. **Do not use tools.**
3. Turn propane on by *slowly* turning valve counter-clockwise. Take care not to turn too quickly to avoid engagement of safety valve.

⚠ DO NOT MOVE TRAP WITH TANK ATTACHED! TANK MUST BE DISCONNECTED FROM REGULATOR BEFORE TRAP IS RELOCATED TO AVOID DAMAGE TO REGULATOR AND/OR TRAP. BE ADVISED, DAMAGE CAUSED FROM FAILURE TO COMPLY WITH THIS INSTRUCTION IS NOT COVERED UNDER WARRANTY.

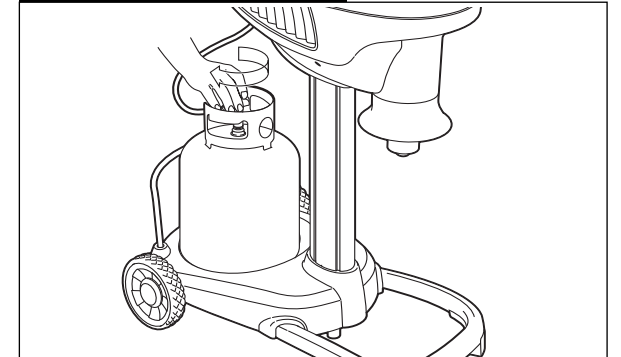
Step 1 – Propane Tank Placement



Step 2 – Attach Regulator



Step 3 – Slowly Open Valve



Set-Up

USING THE CORRECT ATTRACTANT OPTIMIZES THE CATCH RATE OF YOUR TRAP.

Mosquito Magnet® Octenol

- If you live in the northern half of the U.S., or along any coastal areas in the U.S., use a fresh Mosquito Magnet Octenol cartridge every time you change the propane tank.

Lurex³

- If you live in the southern half of the U.S., the Asian Tiger mosquito *may* be the predominant species in your area.
- Lurex³ is an attractant specially designed to capture hard to catch and aggressive, day-biting species such as the Asian Tiger mosquito.
- To find out if Lurex³ is right for you, go to www.mosquitomagnet.com/lurex.
- Use a fresh Lurex³ every time you change the propane tank.



Set-Up

Octenol Attractant Installation

1. Locate Mosquito Magnet® Octenol Biting Insect Attractant. Remove mosquito attractant packet from bag. Carefully peel back foil cover.
2. Locate the octenol carrier compartment inside the plume tube. Turn cap counter-clockwise about 1/8 turn. Remove end cap.
3. Place the mosquito attractant into the carrier compartment.
4. Replace end cap on carrier compartment. Be sure to align cap's "feet" with grooves inside carrier compartment. Secure cap by turning clockwise until it clicks (about 1/8 turn).

Precautionary Statements

Hazards to Humans and Domestic Animals.

Caution: Harmful if swallowed. Avoid contact of skin, eyes or mouth with the evaporation holes. Wash hands before eating, drinking, chewing gum, using tobacco or using bathroom facilities.

First Aid

If swallowed

- Call poison control center or doctor immediately for treatment advice.
- Have person sip a glass of water if able to swallow.
- Do not induce vomiting unless told to do so by the poison control center or doctor.
- Do not give anything by mouth to an unconscious person.

If on skin or clothing

- Take off contaminated clothing.
- Rinse skin immediately with plenty of water for 15-20 minutes.
- Call a poison control center or doctor for treatment advice.

If in eyes

- Hold eye open and rinse slowly and gently with water for 15-20 minutes.
- Remove contact lenses, if present, after the first 5 minutes, then continue rinsing eye.
- Call a poison control center or doctor for treatment advice.

If inhaled

- Move person to fresh air.
- If person is not breathing, call 911 or an ambulance, then give artificial respiration, preferably by mouth-to-mouth, if possible.
- Call a poison control center or doctor for further treatment advice.

Have the product container or label with you when calling a poison control center or doctor, or going for treatment.

Environmental Hazards: Do not apply directly to water. Do not contaminate water when disposing of equipment washwaters or rinsate.

Directions for Use

It is a violation of federal law to use this product in a manner inconsistent with its labeling.

Replace cartridge every 21 days* (Note: After 21 days of use, cartridge appears the same; however, it will no longer be effective as the octenol will have been released.)

*Based on release rate studies conducted at a constant ambient air temperature of 80° F for 21 days. Octenol release from this product will be more rapid at higher ambient air temperature.

Storage & Disposal

Do not contaminate water, food or feed by storage and disposal.

Storage: Store unopened attractant cartridge in a cool, dry place. Discard outer plastic bag in trash.

Disposal: Do not reuse attractant cartridge. Dispose of used attractant cartridge in the trash.

Step 1



Step 2



Step 3



Step 4



Instructions

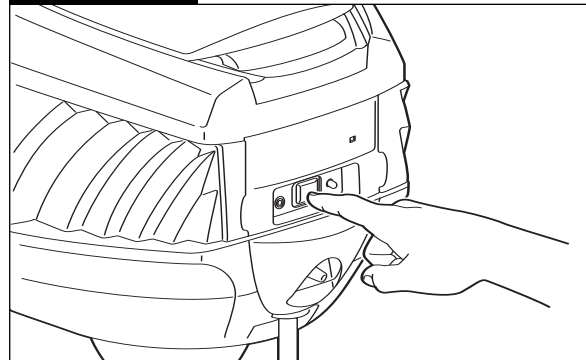
****READ MANUAL BEFORE STARTING****

Starting Instructions

It is recommended that you read the entire manual before starting the Liberty Plus trap.

1. Charge your Mosquito Magnet® Liberty Plus for 24 hours at the beginning of each season.
2. Connect regulator to propane tank (see page 8).
3. Slowly open propane tank valve.
4. Push ON/OFF switch to ON position.
LED light will turn solid orange indicating warm-up.
After 15 to 25 min. trap LED light will turn solid green indicating the trap is running at full capacity.

ON/OFF Switch



For Best Results (unit must run for 24 hours/day)

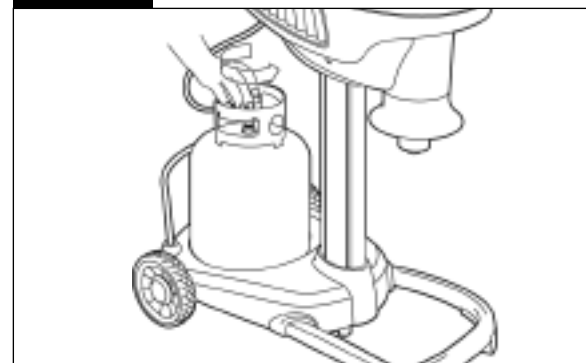
- Your trap will begin capturing immediately with significant reduction in the mosquito population in 7-10 days. Allow 4 – 6 weeks to significantly reduce the mosquito population in your yard.
- Never spray insecticide in or around trap.
- Trap can be left running in the rain, but do not place trap directly above a water source (sprinklers, hose, etc.).
- If using lime or fertilizer compounds, be sure to shut down the Liberty Plus first to prevent dust or fine mist from being drawn into trap and clogging bug bag.

Warning: Improper installation, adjustment, alteration, service or maintenance can cause injury or property damage. Read the installation, operating and maintenance instructions thoroughly before installing or servicing this equipment.

Caution: The gas pressure regulator provided with this appliance must be used. This regulator is set for an outlet pressure 11.0 in. water column.

The gas supply must be turned off at the LP-Gas supply cylinder when this appliance is not in use.

Shut Down



When Not In Use

If the unit is not in use, the gas must be turned off at the supply cylinder. Storage of this unit indoors is permissible only if the cylinder is disconnected and removed. Cylinders must be stored outdoors, out of reach of children and must not be stored in a building, garage or any other enclosed area.

End of Season Storage

Push ON/OFF switch to OFF position to shut down the Liberty Plus. The LED light will go out and the fan will continue running until trap is cool. Close the propane tank valve and disconnect regulator. Also, disconnect the battery, but make sure not to remove battery from the trap.

Any open Mosquito Magnet® attractant should be removed and discarded. See attractant label for disposal instructions. The bug bag should also be discarded prior to storing the Liberty Plus.

STORAGE: Liberty Plus should be stored indoors in a garage or shed in the off-season. Cover trumpet to prohibit insects from nesting. Cover unit with trap cover available at www.mosquitomagnet.com or with a tarp and secure tightly at the bottom to keep out dust, spider webs and other debris.

NOTE: It is recommended that you use the Quick Clear cartridge before seasonal storage to avoid build-up of contaminants during off-season (see page 13).

Please visit www.mosquitomagnet.com to find a local service provider for your spring tune-up.

Maintenance

Maintenance

21 Day Maintenance Cycle

- Refill propane. (Propane lasts approximately 21 days with 24-hour/7-days operation.)
- Replace short-range attractant cartridge.
See Mosquito Magnet® attractant label for instructions.
- Empty or replace bug bag.
- Utilize the Quick Clear adapter at first tank change and every second tank change thereafter.
- Periodically wipe down the outside of the Liberty Plus with a clean, water damp cloth.
- Charge your Mosquito Magnet Liberty Plus for 24 hours at the beginning of each season.

Propane Tank Changing Tips

When attaching the regulator knob to a tank after a tank change, be sure to fully tighten the regulator knob onto the tank. No need to use tools, but do turn the knob as far as possible by hand. When this is done, loosen the knob 1/4 turn, then re-tighten to maximize seal.

The purpose for this is to fully engage the regulator onto the tank. If the regulator is not fully engaged, the flow of gas may be restricted to the point where the trap will show a gas empty code. If this occurs, press the off button, close the tank valve, and remove the regulator from the tank. Re-attach the regulator and try again.

Maintenance Schedule

Note: Bug bags should be replaced when half full. You can find all your accessory needs at www.mosquitomagnet.com or at your local Mosquito Magnet Dealer or Service Center.

	Example	Season 1	Season 2	Season 3	Season 4
Purchase Date	4/1				
Warranty Submission	4/1				
Start Up Date	4/1				
Propane & Attractant Change	4/21				
Quick Clear Cartridge	4/21				
Propane & Attractant Change	5/11				
Quick Clear Cartridge	—				
Propane & Attractant Change	5/31				
Quick Clear Cartridge	5/31				
Propane & Attractant Change	6/20				
Quick Clear Cartridge	—				
Propane & Attractant Change	7/10				
Quick Clear Cartridge	7/10				
Propane & Attractant Change	7/30				
Quick Clear Cartridge	—				
Propane & Attractant Change	8/19				
Quick Clear Cartridge	8/19				
Propane & Attractant Change	9/8				
Quick Clear Cartridge	—				
Propane & Attractant Change	9/28				
Quick Clear Cartridge	9/28				



MOSQUITO MAGNET



MOSQUITO MAGNET

Easy Quick-Clear Valve

⚠ **Important:** Extinguish all smoking materials prior to use of Easy Quick-Clear Valve. Do not stand directly behind the Quick Clear cartridge during operation.

⚠ **Use of PROTECTIVE eyewear is recommended.**

Quick Clear is recommended for regular maintenance to remove built-up contaminants but is not required for operation of your Liberty Plus.

Recommended for use at first tank change, and every second tank change thereafter. Also recommended for use before seasonal storage to avoid build up of contaminants during the off-season. Instructions for "Easy Quick-Clear Valve" Maintenance procedure shall be provided on a label attached to appliance where easily visible by user.

The Easy Quick-Clear Valve is a gold, threaded knob located on the back of your trap. It should be used with the adapter included with your Liberty Plus, and a threaded Quick Clear cartridge available on our website at www.mosquitomagnet.com or at your local Mosquito Magnet® Dealer.

1. Shut down your Liberty Plus. Let fan run until it stops. (About 5 minutes).
2. Close the propane tank valve by turning to the "OFF" position. (Turn the tank valve clockwise).
3. Remove the protective cap from Easy Quick-Clear Valve on your trap.
4. Hand-screw the Quick Clear adapter on to Quick Clear valve, until finger tight.
5. Hand-screw the Quick Clear cartridge into the Quick Clear adapter clockwise until hand tight while holding the adapter in place. **Important:** Do not over-tighten.
6. While holding the adapter in place *slowly* unscrew Quick Clear cartridge up to *1/4 turn only* in counter clockwise direction from the Quick Clear adapter only. The strong flow of compressed air lasts approximately 45 seconds. Be sure to allow Quick Clear cartridge to run out completely. (Hissing will stop when cylinder is empty. Quick Clear cartridge will be cold to the touch)
7. Unscrew the Quick Clear cartridge to remove. Discard empty Quick Clear cartridge after use, it is not reusable or refillable.
8. Unscrew the Quick Clear adapter to remove.
Use caution when removing Quick Clear adapter and cartridge, as some compressed air may come out at this time.
Remember to keep the Quick Clear adapter for future use.
9. Replace Easy Quick-Clear Valve protective cap, and proceed with normal start up of your Liberty Plus. If use of Easy Quick-Clear Valve feature does not resolve starting trouble, contact Customer Care **1-800-953-5737**.



Step 4
First hand-screw the Quick Clear adapter onto the valve.



Step 5
While holding the adapter in place, screw the Quick Clear cartridge into Quick Clear adapter.



Step 6
To start cleaning process, while holding Quick Clear adapter in place, unscrew the Quick Clear cartridge **1/4 Turn Only**.



Step 7
Unscrew the Quick Clear cartridge first, then unscrew Quick Clear adapter and discard the spent Quick Clear cartridge. Remember to keep the Quick Clear adapter for future use.

Troubleshooting

Problem	Possible Cause	Solutions
Unit won't start Red LED light flashing at 7 second intervals	<ol style="list-style-type: none"> 1. Propane tank may be empty. 2. If propane tank is new and has been newly filled it must be purged. 3. There could be a loose connection. 4. Fuel line maybe blocked by propane contaminants. 	<ol style="list-style-type: none"> 1. Weigh tank and check against "empty" weight written on tank. 2. Bring tank to filling location. Air may be in fuel line. Ask for tank to be purged. <i>Hint: If you have another propane powered device operating on a standard, 20 lb propane tank, try hooking that tank up to the Liberty Plus to verify that the issue is with your tank.</i> 3. Verify all connections. Make sure propane tank valve is fully open. 4. See Quick Clear adapter instructions on page 13.
Unit won't stay running	<ol style="list-style-type: none"> 1. 'Possible Causes' 1 & 3 above may apply. 2. Fuel line may be blocked by propane contaminants. 3. Regulator is not fully engaged. 	<ol style="list-style-type: none"> 1. Go through above steps 1 & 3. 2. See Quick Clear adapter instructions on page 13. 3. See Tank Changing Tips on page 8.
Low or No Catch	<ol style="list-style-type: none"> 1. Insects may not be out yet. 2. Trap placement issue. 3. Biting insect reproductive cycles have not yet been broken. 4. Counterflow may be disrupted. 	<ol style="list-style-type: none"> 1. Verify temperature is consistently over 50°F (10°C). 2. Follow steps in the "Trap Placement" section of your owner's manual or refer to your instructional CD-ROM included with your Liberty Plus. 3. Keep trap in constant operation 24 hours/day, 7 days per week for at least 4-6 weeks to reduce the mosquito population. 4. Air flow may be restricted. Call Customer Care at: 1-800-953-5737.
LED Flashing alt RED/GREEN at 7 second intervals	High Temperature	<ol style="list-style-type: none"> 1. Turn off trap and allow to cool for 1/2 hour. Then restart. If code continues, call Customer Care at: 1-800-953-5737.
LED Flashing alt RED/ORANGE at 7 second intervals	Battery Voltage Low	<ol style="list-style-type: none"> 1. Make sure you have charged the battery for 24 hours before starting trap for the first time out of the box and the first time before each season. 2. Check all battery connections, make sure they are fully inserted. 3. After several repeated unsuccessful attempts to start your Mosquito Magnet® the battery may need to be recharged.
Double flashing Red LED at 7 second intervals	Thermister fault	<ol style="list-style-type: none"> 1. Contact Customer Care at 1-800-953-5737
LED light solid red	Electrical fault	<ol style="list-style-type: none"> 1. Contact Customer Care at 1-800-953-5737

Customer Care ****Please have your serial number, date of purchase & model type available****

All of us at Woodstream® Corporation want you to get complete satisfaction from your Liberty Plus. Should you have any problems you cannot resolve, simply call one of our trained Customer Care Representatives at **1-800-953-5737** or visit www.mosquitomagnet.com. We will help you get up and running.

Limited Warranty

Limited Warranty

This warranty, (1) year from the purchase of the unit, is extended only to the original purchaser/user of products.

Woodstream® Corporation warrants its products to be free from defects in materials and workmanship for the warranty period by the original purchaser/user.

For warranty service, please contact our Customer Care (800) 953-5737. Please indicate the nature of the defect.

If Woodstream Corporation determines there may be a defect, Woodstream Corporation will issue a Return Goods Authorization (RGA) number. The defective unit or parts must be returned for warranty inspection using the RGA number, when applicable, as identification within (30) days of return authorization date. DO NOT return products to our factory without our prior consent, as they, as well as C.O.D. shipments will be refused. Woodstream Corporation or agent, at its option, shall replace the unit, replace the defective part(s) and return such unit to you. Woodstream Corporation's sole obligation and your exclusive remedy under this warranty shall be limited to such replacement.

Limitations and Exclusions:

The warranty shall not apply to problems arising from normal wear, or failure to adhere to the enclosed instructions. In addition, the foregoing warranty shall not apply to serial numbered products if the serial number has been removed or defaced; products subject to negligence, accident, improper operation, maintenance or storage; products damaged by circumstances beyond Woodstream Corporation's control; or products modified (including, but not limited to modifications through the use of unauthorized parts or attachments) or repaired by anyone other than Woodstream Corporation or its designee.

The foregoing warranty is exclusive and in lieu of all other warranties, express or implied, including without limitation the implied warranties of merchantability and fitness for a particular purpose. It shall not extend beyond the duration of the express warranty provided herein, and the remedy for violations of any warranty shall be limited to repair or replacement of the defective product pursuant to the terms contained herein. Woodstream Corporation shall not be liable for any consequential or incidental damages whatsoever.

This warranty gives you specific legal rights and you may also have other legal rights which may vary based on location.

Product Registration

Register on-line at www.mosquitomagnet.com or mail completed form today, to:

Woodstream® Corporation, Attn: Mosquito Magnet® Consumer Care, 69 North Locust Street, Lititz, PA 17543

First Name _____ Last Name _____
 Address _____
 City _____ State/Province _____ Zip Code _____ Country _____
 Phone Number _____ Email Address _____ Yes, I would like to receive product updates via email.

1. Where did you buy this product?

Website _____ Store Name _____ Service Center _____

2. How did you find out about the Mosquito Magnet® (check all that apply)?

Radio Ad Direct Mail TV Ad Friend/Family Website Magazine Ad
 Newspaper Ad News Article (newspaper, magazine, TV, etc.) Frontgate In-Store Display Other

3. In your household who decided to purchase the Mosquito Magnet?

Male Female Both

4. What is your marital status?

Married Single

5. Are there any children in your household?

Yes No

6. What are the two most important reasons influencing this purchase?

Protection from mosquitoes that may transmit disease Reputation of quality
 Science/technology behind product Comfort
 Recommendation of friend/family member Received as gift
 Recommendation of salesperson Other

7. What is your age?

25 – 35 36 – 45 46 – 55 56 – 70 70+

8. What is your level of education?

High School Diploma College Degree Graduate Degree Doctoral Degree Technical/Professional

9. What is your annual household income?

\$25,000 – 39,999 \$40,000 – 59,999 \$60,000 – 89,999 Over \$90,000

10. What other brands of insect abatement have you tried?

Zappers Sprays Pesticides Other CO₂ Traps, Name: _____

11. Would you consider giving a testimonial once you are thoroughly convinced of the effectiveness of the Mosquito Magnet?

Yes No

12. Were the assembly directions and operation instructions explained clearly and simply?

Yes No

13. Did you require customer care?

Yes No

NECESSARY INFORMATION

In order to properly register your product with Woodstream® Corporation, the following information is required.

Model: Circle One

Defender Liberty Liberty Plus

Serial#:

Date of purchase:

Please visit www.mosquitomagnet.com to find a local service provider.

Consumer Confidentiality: All of the information that has been gathered on this reply card is solely for the internal sales and marketing efforts of Woodstream® Corporation. None of the information that you may have provided will be sold, rented or leased to any other company, organization or agency for any purpose whatsoever. None of this information will be posted on our company website or any other vehicle that can be obtained by the public domain. If you wish to make additional comments or testimonials about our product, please address them separately and send them to our Marketing Department at the address listed inside the manual.



Manual de operación



MOSQUITO MAGNET®

Bienvenido

Felicitaciones por la compra de su equipo Mosquito Magnet®. Ahora puede empezar a gozar nuevamente del espacio al aire libre.

Mosquito Magnet es la primera trampa para mosquitos en Norteamérica. Con el apoyo de 17 años de investigación y pruebas, la trampa Mosquito Magnet está científicamente probada para reducir los mosquitos y otros insectos que pican en su patio o jardín.

Mosquito Magnet es fácil de usar. El CD-ROM que viene con el producto proporciona información clave para empezar a utilizarlo. En este manual, usted obtendrá la información que necesita para saber cómo funciona, la ubicación óptima de la trampa, mantenimiento, almacenamiento y garantía. Las claves del éxito son la ubicación de la trampa, la utilización del cebo atrayente correcto para su área y el mantenimiento de rutina. Para lograr la caza óptima de mosquitos, deberá cambiar el tanque de propano y el cebo atrayente cada 21 días y utilizar el cartucho Quick Clear después de cada dos cambios del tanque.

Nuestra línea de Servicio de Atención al Cliente está disponible para responder sus preguntas referentes a su nueva compra. No dude en comunicarse con nosotros...

Servicio de Atención al Cliente: 1-800-953-5737

Horario de atención: **Lunes:** viernes 8:30 AM – 8:00 PM (hora oficial del Este)
Sábado: 8:30 – 5:00 (hora oficial del Este)

Visítenos en www.mosquitomagnet.com para obtener información adicional sobre Mosquito Magnet, consejos, testimonios y ofertas de productos adicionales.

Woodstream® Corporation

69 North Locust Street
Lititz, PA 17543
1-800-953-5737
www.mosquitomagnet.com

Patentes:

EE.UU.: No. 6,145,243; 6,286,249; 6,817,140; 6,840,005;
6,848,466; 7,243,457 y 7,281,351
Canadá: No. 2,265,944 y 2,322,038
Europa: No. 1,011,324; 1,049,373 y 1,432,304
Otras patentes pendientes

Hecho en EE.UU.



MOSQUITO MAGNET

1e

Contenido

Instrucciones de seguridad	3e-4e
Parte principales	5e
Instrucciones de ensamblaje	6e
Instalación	7e-10e
Ubicación de la trampa	
Carga de Liberty Plus	
Instalación del tanque de propano	
Utilización del cebo atrayente apropiado	
Instalación del cebo atrayente de octenol	
Instrucciones	11e
Instrucciones para el inicio	
Cuando no está en uso	
Almacenamiento de final de temporada	
Para lograr los mejores resultados	
Mantenimiento	12e
Mantenimiento	
Consejos para cambiar el tanque de propano	
Cronograma de mantenimiento	
Válvula Easy Quick-Clear	13e
Resolución de problemas	14e
Códigos de fallos LED	
Garantía	15e
Registro del producto	16e

Preguntas o comentarios

Por favor, comuníquese con Woodstream® Corporation si tiene preguntas o problemas con el producto Mosquito Magnet®:
1-800-953-5737

Woodstream® Corporation
69 North Locust Street
Lititz, PA 17543
www.mosquitomagnet.com

Modelo No.:	Liberty Plus
No. de serie:	
Tipo de gas:	Propano
Presión del distribuidor:	100 – 110 psi
Presión mínima del suministro de gas:	28 cm de columna de agua
Capacidad nominal de entrada:	759 Btu/Hr.
Espacios libres mínimos:	De 51 a 61 cm



Tecnología patentada Counterflow Technology™

Cómo funciona Mosquito Magnet®

Los mosquitos y otros insectos que pican utilizan el dióxido de carbono (CO₂) atrayente de largo alcance para ubicar a las personas. Una vez cerca, los mosquitos utilizan atrayentes de corto alcance como los olores que emite la piel, con el fin de determinar la persona a la que van a picar. Mosquito Magnet imita al ser humano mediante la conversión de gas propano en CO₂, con su tecnología de conversión catalítica patentada, en combinación con un cebo atrayente de corto alcance.

Los mosquitos y otros insectos que pican, atraídos por el CO₂ y el cebo atrayente de corto alcance, se dirigen hacia la trampa Mosquito Magnet. Al llegar a la trampa, una bolsa para insectos los aspira utilizando la tecnología patentada Counterflow Technology™, en donde se deshidratan y mueren en 24 horas.

La trampa Mosquito Magnet es silenciosa, inodora y funciona 24 horas, 7 días a la semana. Si está ubicada en el lugar apropiado en su patio o jardín, **la trampa empieza a funcionar inmediatamente. Pueden lograrse resultados visibles entre 7 y 10 días.** Para reducir significativamente la población de insectos que pican, permita que pasen entre 4 a 6 semanas. Para controlar la población de mosquitos en su patio o jardín, deje funcionando la trampa Mosquito Magnet todo el verano.

La trampa sólo atrapa insectos que pican tales como mosquitos, zancudos, moscas negras y gorgojos. La trampa no se dirige a insectos benéficos tales como mariposas, abejas o polillas.



MOSQUITO MAGNET

2e

Instrucciones de seguridad

Por favor, lea y siga las instrucciones y advertencias de seguridad.

Se debe alertar a los niños y adultos de los peligros de las temperaturas elevadas de las superficies y deberán mantenerse alejados para evitar quemaduras o que la ropa se incendie.

Los niños pequeños deberán estar bajo supervisión cuando estén alrededor del área del calentador. Manténgase el equipo fuera del alcance de los niños.

No debe colgar ropa ni materiales inflamables en el calentador, ni colocarlos encima o cerca del mismo.

Nota: Deberán seguirse algunas o todas las instrucciones siguientes de seguridad para dispositivos activados con gas propano como el Liberty Plus. Deje que la trampa se enfríe durante 5 minutos antes de volver a encenderla.

⚠ Advertencia: La instalación, ajuste, alteración, servicio o mantenimiento inadecuados pueden causar lesiones personales o daños materiales. Lea atentamente las instrucciones de instalación, operación y mantenimiento antes de instalar o de dar mantenimiento al artefacto Liberty Plus.

⚠ Precaución: Debe utilizar el regulador de presión de gas que viene con este artefacto. Este regulador está fijado para una presión de salida de 28 cm de columna de agua. La presión mínima del suministro de gas de entrada es para 28 cm de columna de agua del regulador.

- Esta unidad no está diseñada para instalarse en vehículos recreacionales ni en botes.
- Cuando este artefacto no esté en uso, debe apagar el suministro de gas en el tanque de suministro de gas propano.
- La instalación debe hacerse en conformidad con los códigos locales o, en ausencia de códigos locales, de acuerdo con el Código Nacional de Gas Combustible, ANSI Z223.1-1998 para EE.UU., y de acuerdo con CAN1-B149 para Canadá.
- Para determinar si hay fuga de gas, coloque agua jabonosa alrededor del ensamblaje del conector, regulador y manguera de gas. Si aparecen burbujas, significa que hay una fuga de gas.
- Revise la manguera antes de utilizar la unidad. Si es evidente que hay abrasión o desgaste excesivos, o si la manguera tiene un corte, debe cambiarse antes de hacer funcionar la unidad. La manguera de repuesto debe ser la que especifica el fabricante.
- El artefacto Liberty Plus está equipado con un dispositivo interno de ignición por bujía. El no seguir el procedimiento de arranque puede causar que la trampa no arranque.
- La instalación y la reparación deben hacerlas el personal de mantenimiento calificado (puede encontrar centros de mantenimiento en www.mosquitomagnet.com). Personal de mantenimiento calificado debe inspeccionar el calentador antes de usarlo por lo menos una vez al año. Puede requerirse limpieza con más frecuencia, si es necesario. Es imperativo que se mantengan limpios el compartimiento de control, los quemadores y las vías de circulación de aire del calentador.

Instrucciones de seguridad

- Mantenga espacios libres adecuados de 51 a 61 cm alrededor de las aberturas de aires que van hacia la cámara de combustión; mantenga lejos los materiales combustibles; deje espacio libre para facilitar el acceso y para que haya suficiente aire para combustión y ventilación. Mantenga el área del artefacto Liberty Plus libre de materiales combustibles, gasolina y otros vapores y líquidos inflamables. No debe utilizarse este artefacto en lugares donde probablemente exista vapor combustible o polvos explosivos.
- No obstruya el flujo de aire de combustión y ventilación.
- Mantenga libres y sin residuos as aberturas de ventilación del recinto del tanque.
- Limpie el artefacto Liberty Plus con un trapo húmedo, si es necesario.
- Debe utilizar un tanque de gas propano de un máximo de 20 lb (9 kg).
- El tanque de gas propano debe tener una válvula de cierre que termina en una salida de válvula de tanque de gas propano especificada para Conexión No. 510 conforme al estándar de EE.UU. "Standard for Compressed Gas Cylinder Valve Outlet and Inlet Connections" (Estándar para Conexiones de Salida y Entrada de Válvula de Tanque de Gas Comprimido), ANSI/CGA-V-1-1977.
- El sistema de suministro del tanque de gas propano debe estar diseñado para la extracción de vapor y el tanque debe venir con un cuello para proteger la válvula del tanque.
- El tanque de gas propano que se use debe estar construido y marcado de acuerdo con las especificaciones de tanques de gas del Departamento de Transporte de los EE.UU. o el Estándar Nacional de Canadá CAN/CSA-B339.
- El artefacto Liberty Plus debe utilizarse en exteriores solamente, en un área con buena ventilación y no debe utilizarse en un edificio, garaje ni en ningún otro lugar cerrado.
- Si se almacena el artefacto en interiores, debe desconectar el tanque de gas propano y retirarlo del artefacto.
- Los tanques de gas propano deben almacenarse en exteriores en un área con buena ventilación y fuera del alcance de los niños.
- Los tanques desconectados deben tener tapones de válvula roscados instalados y no deben almacenarse en un edificio, garaje ni en áreas cerradas.

- Debe utilizarse el regulador de presión y el ensamblaje de manguera suministrados con este artefacto para la conexión del tanque de gas propano. Los reguladores de presión y el ensamblaje de manguera de reemplazo deben ser los que especifica el fabricante.
- Evite el uso inapropiado de cordones de extensión. Mantenga las conexiones alejadas de humedad y evite el daño del cordón.
- Si se daña del cordón de suministro, debe ser reemplazado por el fabricante o su agente de servicio o por una persona calificada similar con el fin de evitar peligros.

Si tiene preguntas, por favor, comuníquese con el Servicio de Atención al Cliente llamando al número:

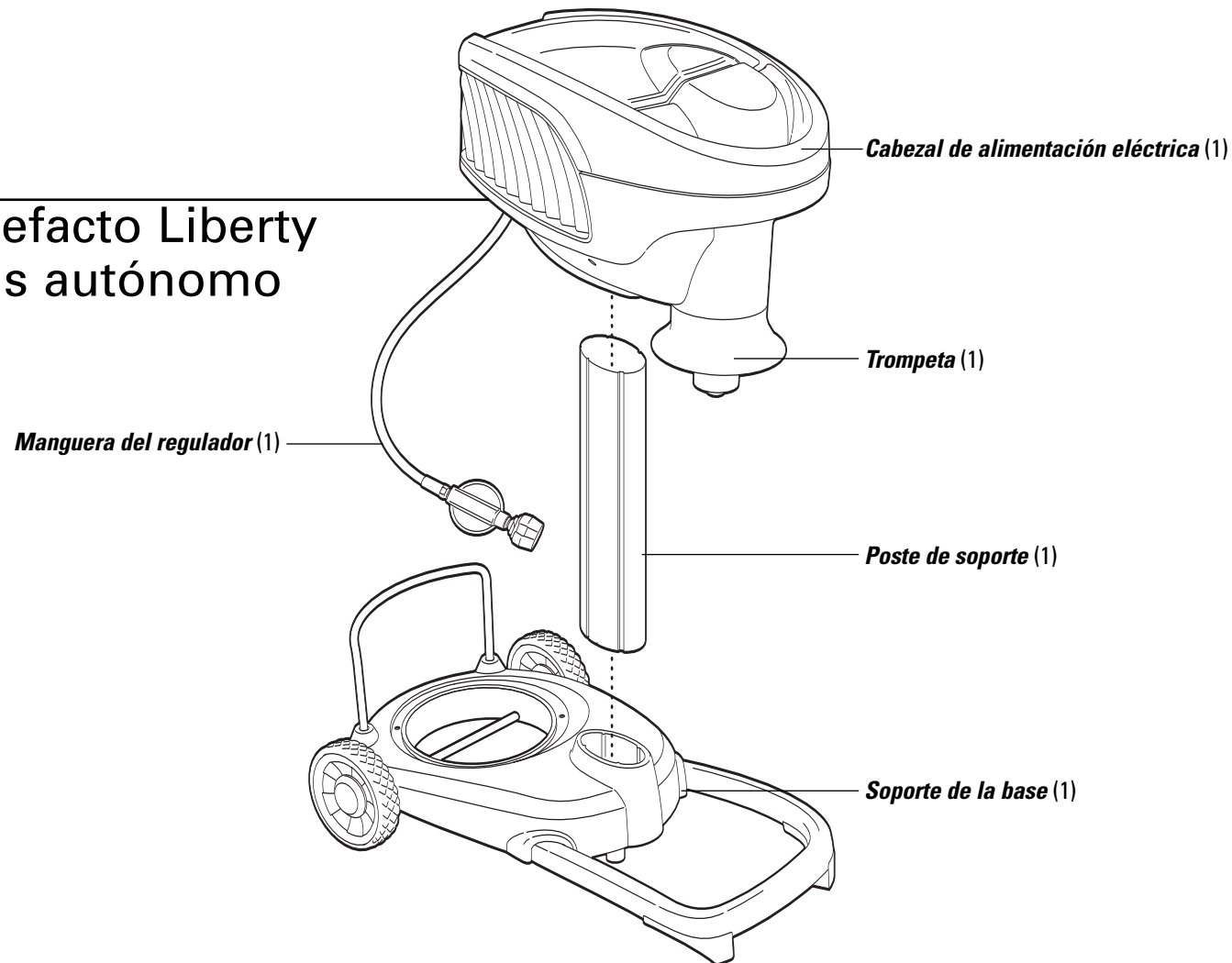
1-800-953-5737

o visite www.mosquitomagnet.com



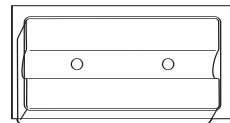
Partes principales

Artefacto Liberty Plus autónomo

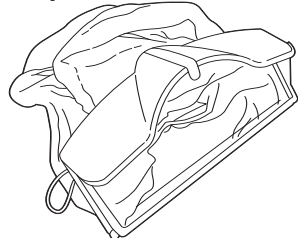


Partes incluidas

Cebo atrayente para insectos que pican
Mosquito Magnet® a base de octenol
 Reg. EPA No. 72563-1 (Cebo atrayente de corto rango)



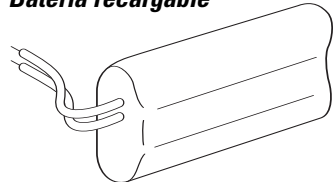
Bolsa para insectos



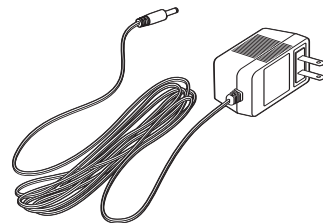
Adaptador Quick Clear



Batería recargable



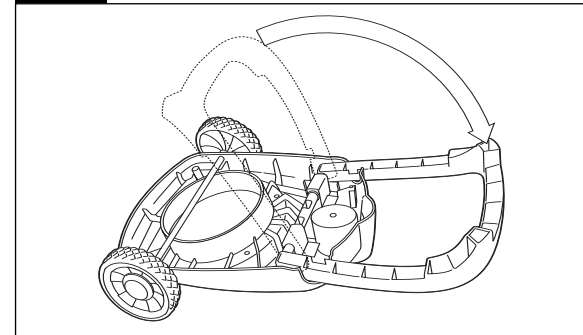
Adaptador del cargador



Instrucciones de ensamblaje

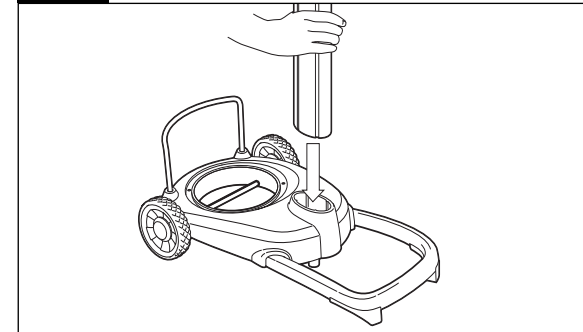
Ensamblaje de la trampa:

Paso 1



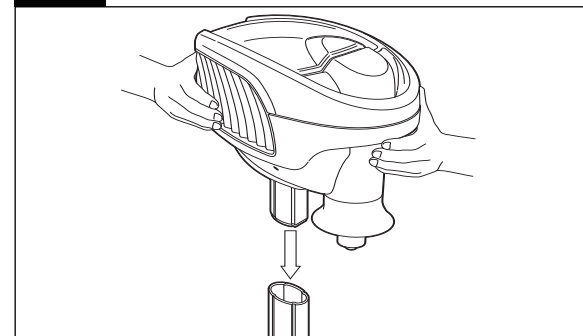
Coloque la base en una posición invertida sobre una superficie plana, despliegue la pata de apoyo en forma de U hasta que encaje en su lugar.

Paso 2



Voltee la base y el ensamblaje de la pata a su posición normal y coloque el poste de soporte dentro de la cavidad de la base.

Paso 3



Coloque el cabezal de alimentación eléctrica del artefacto Liberty Plus en el poste. Presione firmemente hacia abajo con ambas manos hasta que esté asegurado.

Una vez ensamblada la trampa, la parte frontal del cabezal de alimentación eléctrica/trompeta debe estar lo más lejos posible de las ruedas en la misma dirección que las patas en forma de U de la base.

Paso 4

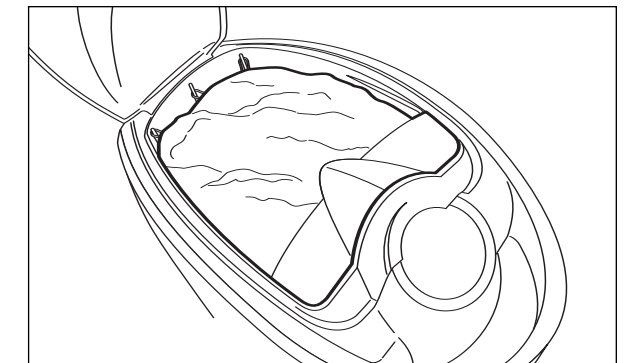
Cargue el artefacto Liberty Plus durante 24 horas antes de usarlo. Consulte la página 7 para obtener más información.

NOTA: No necesitará cargarlo nuevamente hasta la próxima estación.

Instalación de la bolsa para insectos:

Levante la tapa de plástico transparente y fije el soporte plástico de retención de la bolsa para insectos en la parte frontal del compartimiento. Cierre la tapa de plástico después de terminar.

Nota: Los lazos de la fibra se enganchan en los postes de plástico para que pueda expandirse hasta su capacidad máxima.



La bolsa para insectos se asegura en la parte frontal del compartimiento.



Instalación

Ubicación de la trampa

1. Determine la dirección del viento predominante. Consulte los patrones del tiempo local si no está seguro.
2. Párese en el centro del área que intenta proteger y mire en dirección hacia el viento predominante.
3. La ubicación apropiada del artefacto Liberty Plus será entre 9 y 12 m en frente de usted, con una cobertura de terreno de entre 1,5 y 1,8 m (es decir, arbustos, cantero de flores, líneas de árboles, pantano). Asegúrese que la trampa no esté ubicada contra objetos de bloqueo como edificios, cercas, etc.
4. Se recomienda ubicar la trampa en la sombra.
5. No coloque la trampa directamente debajo de una fuente de agua (rociadores, manguera, etc.).
6. La trampa debe colocarse sobre un piso plano para evitar que se voltee o que haya una distribución desigual del gas propano.
7. Para lograr una ubicación óptima de la trampa en su patio o jardín, consulte el CD-ROM con instrucciones incluido con el artefacto Liberty Plus.

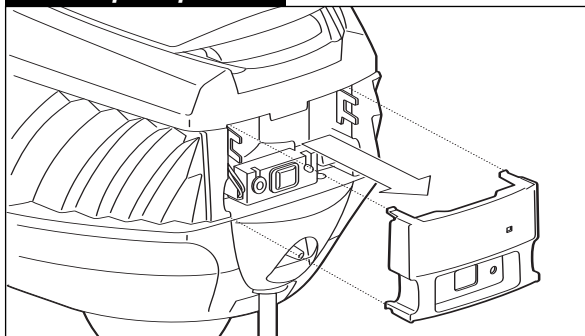


Para cargar el artefacto Mosquito Magnet® Liberty Plus

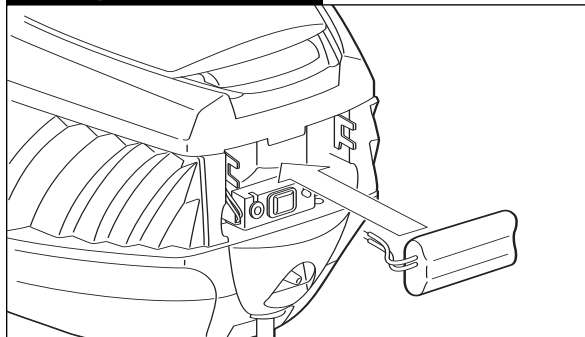
1. Retire la cubierta de la parte posterior de la unidad del cabezal de alimentación eléctrica (el panel se desengancha).
2. Inserte y conecte la batería recargable.
3. Inserte el adaptador del cargador dentro de la parte posterior de la unidad del cabezal. Deje que cargue durante 24 horas al comienzo de cada estación. No necesitará cargarlo nuevamente hasta la próxima estación. Vuelva a colocar la cubierta al terminar (el panel de cubierta encaja en su lugar).

NOTA: La unidad debe cargarse en interiores, la trampa no tiene protección contra mal tiempo cuando se retira la cubierta.

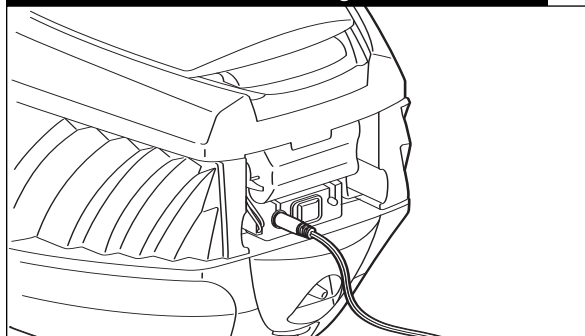
Retire el panel posterior



Inserte y conecte la batería



Conecte el cargador dentro del cabezal de alimentación eléctrica del cargador de la batería



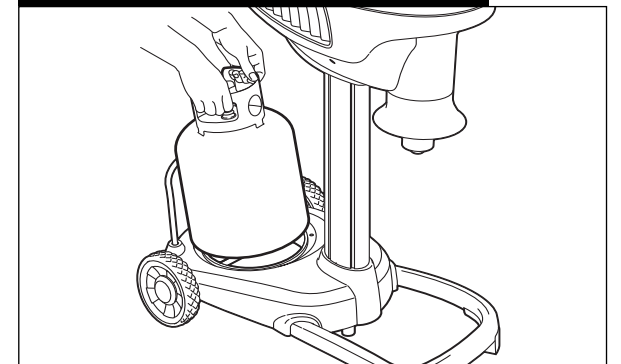
Instalación

Instalación del tanque de propano

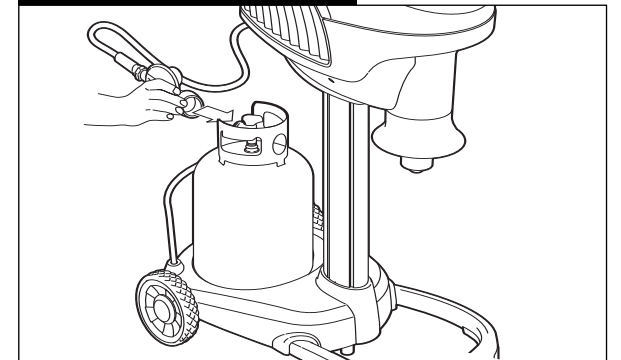
1. Después de colocar la trampa en su ubicación ideal, coloque el tanque de propano en el receptáculo moldeado.
2. Asegúrese que el tanque de propano esté completamente cerrado. Conecte la manguera del regulador de propano al tanque de propano. Asegure firmemente con la mano. **No utilice herramientas.**
3. Active el gas propano girando lentamente la válvula en sentido contrario a las manecillas del reloj. Tenga cuidado de no voltear muy rápidamente para evitar que se active la válvula de seguridad.

⚠ ¡NO MUEVA LA TRAMPA CON EL TANQUE INSTALADO! DEBE DESCONECTAR EL TANQUE DEL REGULADOR ANTES DE REUBICAR LA TRAMPA PARA EVITAR DAÑAR EL REGULADOR Y/O LA TRAMPA. TENGA PRESENTE QUE EL DAÑO CAUSADO POR NO CUMPLIR CON ESTA INSTRUCCION NO ESTÁ CUBIERTO POR LA GARANTIA.

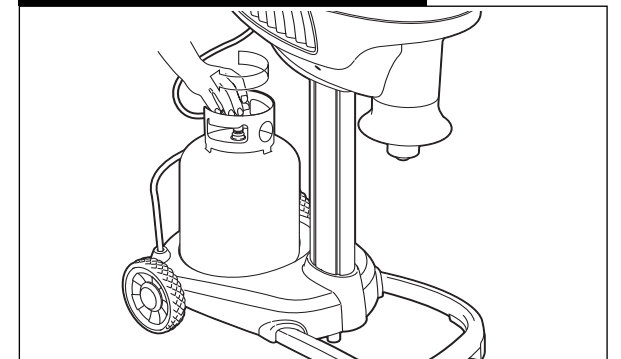
Paso 1 – Ubicación del tanque de propano



Paso 2 – Colocar el regulador



Paso 3 – Abrir la válvula lentamente



Instalación

EL USO DEL CEBO ATRAYENTE APROPIADO OPTIMIZA LA EFICIENCIA DE CAZA DE LA TRAMPA.

Octenol Mosquito Magnet®

- Si vive en la parte norte de los EE.UU., o a lo largo de las áreas costeras de EE.UU., utilice un cartucho nuevo de Mosquito Magnet Octenol cada vez que cambie el tanque de propano.

Lurex³

- Si vive en la parte sur de los EE.UU., el mosquito "Tigre Asiático" puede ser la especie predominante en su área.
- Lurex³ es el cebo atrayente especialmente diseñado para capturar especies difíciles de cazar y agresivas que pican durante el día como el mosquito "Tigre Asiático".
- Para averiguar si Lurex³ es el adecuado para usted, vaya a www.mosquitomagnet.com/lurex.
- Utilice una unidad nueva de Lurex3 cada vez que cambie el tanque de propano.



Instalación

Instalación del cebo atrayente de octenol

1. Ubique el cebo atrayente para insectos que pican Mosquito Magnet® Octenol. Saque el paquete de cebo atrayente contra mosquitos de la bolsa. Desprenda cuidadosamente la cubierta de aluminio posterior.
2. Ubique el compartimiento para portar octenol que está dentro del tubo pluma. Gire la tapa en dirección contraria a las manecillas del reloj aproximadamente 1/8 de vuelta. Retire la tapa del extremo.
3. Coloque el cebo atrayente dentro del compartimiento portador.
4. Vuelva a colocar la tapa del extremo en el compartimiento portador. Asegúrese de alinear las "patas" de la tapa con las ranuras que están dentro del compartimiento portador. Asegure la tapa volteándola en sentido de las manecillas del reloj hasta que encaje (aproximadamente 1/8 de vuelta).

Precauciones

Peligros para los seres humanos y los animales domésticos.

Precaución: Es peligroso si se ingiere. Evite que la piel, los ojos o la boca entren en contacto con los agujeros de evaporación. Lávese las manos antes de comer, beber, mascar chicle, consumir tabaco o utilizar los servicios higiénicos.

Primeros auxilios

En caso de ingestión

- Llame inmediatamente al centro de control de intoxicaciones o a un médico para solicitar consejo sobre tratamiento.
- Haga que la persona beba, a tragos cortos, un vaso de agua si puede ingerir.
- No induzca el vómito a menos que lo indique el centro de control de intoxicaciones o un médico.
- No dé nada por la boca a una persona inconsciente.

Si entra en contacto con la piel o la ropa

- Quítese la ropa contaminada.
- Enjuague la piel inmediatamente con bastante agua durante 15 a 20 minutos.
- Llame al centro de control de intoxicaciones o a un médico para solicitar consejos sobre tratamiento.

Si entra en contacto con los ojos

- Mantenga el ojo abierto y enjuague lenta y suavemente con agua durante 15 a 20 minutos.
- Quítese los lentes de contacto, si los tiene, después de los primeros 5 minutos, luego continúe enjuagando el ojo con agua.
- Llame al centro de control de intoxicaciones o a un médico para solicitar consejos sobre tratamiento.

En caso de inhalación

- Lleve a la persona al aire fresco.
- Si la persona no está respirando, llame al 911 o a una ambulancia, luego aplique respiración artificial, preferiblemente boca a boca, si es posible.
- Llame al centro de control de intoxicaciones o a un médico para solicitar consejo sobre tratamiento.

Tenga el contenedor o etiqueta del producto a la mano cuando llame al centro de control de intoxicaciones o al médico, o cuando vaya a recibir tratamiento.

Peligros medioambientales: No aplique directamente al agua. No contamine el agua al desechar el agua de limpieza o residuos de enjuague del equipo.

Instrucciones de uso:

Es una violación de la ley federal el utilizar este producto de una manera diferente a lo indicado en la etiqueta. Cambie el cartucho cada 21 días* (Nota: Después de 21 días de uso, el cartucho tiene la misma apariencia. Sin embargo, ya no tendrá la misma eficiencia debido a que el octenol se habrá agotado).

Paso 1



Paso 2



Paso 3



Paso 4



*Basado en estudios de tasa de emisiones realizados en un ambiente a una temperatura de 80° F (27° C) durante 21 días. La emisión de octenol de este producto será mayor mientras más alta sea la temperatura del ambiente.

Almacenamiento y desecho

No contamine el agua, los alimentos, ni la comida para animales al momento de almacenar o desechar.

Almacenamiento: Almacene el cartucho de cebo atrayente sin abrir en un lugar fresco y seco. Deseche la bolsa de plástico externa en la basura.

Desecho: No vuelva a utilizar el cartucho con cebo atrayente. Deseche el cartucho con cebo atrayente en la basura.



Instrucciones

****LEA EL MANUAL ANTES DE EMPEZAR****

Instrucciones de inicio

Se recomienda leer el manual completamente antes de empezar a utilizar la trampa Liberty Plus.

1. Cargue la trampa Mosquito Magnet® Liberty Plus durante 24 horas al comienzo de cada estación.
2. Conecte el regulador al tanque de propano (vea la página 8).
3. Abra lentamente la válvula del tanque de propano.
4. Presione el botón ON/OFF a la posición ON (encendido): La luz LED anaranjada indica período de calentamiento. Después de 15 a 25 minutos, la luz LED de trampa verde indica que la trampa está funcionando a plena capacidad.

Cuando no está en uso

Si la unidad no está en uso, debe apagar el tanque de suministro de gas. Puede guardar esta unidad en interiores sólo si desconecta y retira el tanque. Los tanques deben guardarse en exteriores, fuera del alcance de los niños. No deben guardarse en un edificio, garaje, ni ningún otro lugar cerrado.

Almacenamiento al final de la temporada

Para apagar la trampa Liberty Plus, coloque el botón ON/OFF en la posición OFF (apagado). La luz LED se apaga y el ventilador seguirá funcionando hasta que la trampa se enfríe. Cierre la válvula del tanque de propano y desconecte el regulador. Desconecte también la batería, pero asegúrese de no retirar la batería de la trampa.

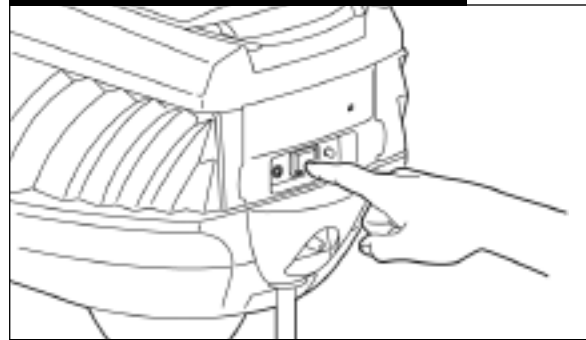
Retire y deseche todo el cebo atrayente Mosquito Magnet®. Consulte la etiqueta del cebo atrayente para obtener las instrucciones de desecho. También debe desecharse la bolsa de insectos antes de almacenar la trampa Liberty Plus.

ALMACENAMIENTO: La trampa Liberty Plus debe almacenarse en un garaje o cobertizo durante las estaciones que no se usa. Cubra la trompeta para evitar que los insectos hagan nido. Cubra la unidad con la cubierta para trampa disponible en www.mosquitomagnet.com, o con una lona protectora y asegure firmemente la base para evitar el polvo, las telarañas y otros residuos.

NOTA: Se recomienda utilizar el cartucho Quick Clear antes de guardar la trampa al final de la temporada para evitar que se acumulen contaminantes durante la temporada en que no se utiliza la unidad (ver página 13).

Visite www.mosquitomagnet.com para encontrar un proveedor de servicio local para que lleve a cabo el ajuste de la primavera.

Interruptor ON/OFF (encendido-apagado)



Para obtener mejores resultados (la unidad debe funcionar durante 24 horas al día)

- La trampa empezará a cazar inmediatamente logrando una reducción significativa de la población de mosquitos entre 7 y 10 días. Permita que pasen entre 4 a 6 semanas para reducir significativamente la población de mosquitos en su patio o jardín.
- Nunca rocíe insecticida dentro o alrededor de la trampa.
- La trampa puede funcionar bajo lluvia, pero no coloque la trampa directamente debajo de una fuente de agua (rociadores, manguera, etc.).
- Si utiliza compuestos de cal o fertilizantes, asegúrese primero de apagar la trampa Liberty Plus para evitar que la trampa atraiga el polvo o la nebulización fina y atore la bolsa para insectos.

Advertencia: La instalación, ajuste, alteración, servicio o mantenimiento inadecuados pueden causar lesiones personales o daños materiales. Lea las instrucciones de instalación, operación y mantenimiento cuidadosamente antes de instalar o dar mantenimiento al producto Liberty Plus.

Precaución: Debe utilizar el regulador de presión de gas que viene con este artefacto. Este regulador está fijado para una presión de salida de 28 cm de columna de agua.

Cuando este artefacto no esté en uso, debe apagar el suministro de gas en el tanque de suministro de gas propano.

Desactivación



Mantenimiento

Mantenimiento

Ciclo de mantenimiento de 21 días

- Recargue el gas propano. (El propano dura aproximadamente 21 días con un funcionamiento de 24 horas durante 7 días).
- Cambie el cartucho de cebo atrayente de corto alcance. Consulte la etiqueta del cebo atrayente Mosquito Magnet® para obtener instrucciones.
- Vacíe o cambie la bolsa de insectos.
- Utilice el adaptador Quick Clear para el primer cambio de tanque, y de allí en adelante para cada segundo cambio del tanque.
- Periódicamente limpie el exterior de la trampa Liberty Plus con un trapo limpio y húmedo.
- Cargue la trampa Mosquito Magnet® Liberty Plus durante 24 horas al comienzo de cada estación.

Consejos para cambiar el tanque de propano

Al conectar la perilla del regulador a un tanque después de un cambio de tanque, asegúrese de ajustar completamente la perilla del regulador al tanque. No necesita utilizar herramientas, pero asegúrese de girar la perilla todo lo posible a mano. Después de hacer esto, afloje la perilla 1/4 de vuelta, luego vuelva a ajustar para lograr el sello máximo.

El propósito de esto es enganchar el regulador completamente al tanque. Si el regulador no está completamente enganchado, puede restringirse el flujo de gas al punto en que la trampa indicará el código de falta de gas. Si esto ocurre, presione el botón OFF (apagado), cierre la válvula del tanque, y retire el regulador del tanque. Vuelva a colocar el regulador e intente nuevamente.

Cronograma de mantenimiento

Nota: Las bolsas de insectos deben cambiarse cuando estén llenas hasta la mitad. Puede encontrar todos los accesorios que necesita en www.mosquitomagnet.com o en el distribuidor local de Mosquito Magnet o en el Centro de Servicios.

	Ejemplo:	Estación 1	Estación 2	Estación 3	Estación 4
Fecha de compra	4/1				
Entrega de garantía	4/1				
Fecha de inicio	4/1				
Cambio de propano y cebo atrayente	4/21				
Cartucho Quick Clear	4/21				
Cambio de propano y cebo atrayente	5/11				
Cartucho Quick Clear	—				
Cambio de propano y cebo atrayente	5/31				
Cartucho Quick Clear	5/31				
Cambio de propano y cebo atrayente	6/20				
Cartucho Quick Clear	—				
Cambio de propano y cebo atrayente	7/10				
Cartucho Quick Clear	7/10				
Cambio de propano y cebo atrayente	7/30				
Cartucho Quick Clear	—				
Cambio de propano y cebo atrayente	8/19				
Cartucho Quick Clear	8/19				
Cambio de propano y cebo atrayente	9/8				
Cartucho Quick Clear	—				
Cambio de propano y cebo atrayente	9/28				
Cartucho Quick Clear	9/28				



MOSQUITO MAGNET



MOSQUITO MAGNET

Válvula Easy Quick-Clear

⚠ **Importante:** Apague todos los materiales que emiten humo antes de utilizar la válvula Easy Quick-Clear. No se pare detrás del cartucho Quick Clear durante el funcionamiento.

⚠ **Se recomienda usar gafas PROTECTORAS.**

Se recomienda usar Quick Clear para el mantenimiento regular con el fin de retirar los contaminantes acumulados, pero no es necesario para el funcionamiento de la trampa.

También se recomienda usar para el cambio del primer tanque, y de allí en adelante para cada cambio del segundo tanque. También se recomienda usar antes del almacenamiento de fin de temporada para evitar la acumulación de contaminantes durante la temporada que la unidad no se usa. Las instrucciones para el procedimiento de mantenimiento de la válvula Easy Quick-Clear se encuentran en la etiqueta adherida al artefacto y en un lugar de fácil lectura para el usuario.

La válvula Easy Quick-Clear es una perilla roscada dorada ubicada en la parte posterior de la trampa. Debe utilizarse conjuntamente con el adaptador que viene con la trampa y un cartucho roscado Quick Clear disponibles en nuestro website: www.mosquitomagnet.com o a través del distribuidor local de Mosquito Magnet®.

1. Apague la trampa. Deje funcionar el ventilador hasta que se detenga (aproximadamente 5 minutos).
2. Cierre la válvula del tanque de propano colocándola en la posición "OFF" (apagado). (Gire la válvula del tanque en sentido de las manecillas del reloj).
3. Retire la tapa protectora de la válvula Easy Quick-Clear de la trampa.
4. Entornille a mano el adaptador Quick Clear a la válvula Easy Quick-Clear hasta que esté sienta con el dedo que está firmemente ajustada.
5. Entornille a mano el cartucho Quick Clear al adaptador Quick Clear girando en sentido de las manecillas del reloj hasta que sienta con la mano que está firmemente ajustado, mientras sujeta adaptador en su lugar. **Importante:** No ajuste excesivamente.
6. Mientras sujeta el adaptador en su lugar, desentornille despacio el cartucho Quick Clear del adaptador Quick Clear hasta 1/4 de vuelta solamente en sentido contrario a las manecillas del reloj. El flujo fuerte de aire comprimido dura aproximadamente 45 segundos. Asegúrese de dejar que el cartucho Quick Clear se consuma completamente. (El silbido se detendrá cuando el tanque esté vacío. El cartucho Quick Clear estará frío al tacto).
7. Desentornille el cartucho Quick Clear para retirarlo. Descarte el cartucho Quick Clear vacío después de usar, no puede volverse a usar ni cargarse nuevamente.
8. Desentornille el adaptador Quick Clear para retirarlo. Tenga cuidado al retirar el adaptador y el cartucho Quick Clear, ya que puede salir un poco de aire comprimido en este momento. Recuerde guardar el adaptador Quick Clear para uso futuro.
9. Vuelva a colocar la tapa protectora de la válvula Easy Quick-Clear, y proceda con el inicio normal de la trampa. Si el uso de la válvula Easy Quick-Clear no resuelve el problema de inicio, comuníquese con el Servicio de Atención al Cliente llamando al **1-800-953-5737**.

Paso 4



Primero entornille a mano el adaptador Quick Clear en la válvula.

Paso 5



Mientras sujeta el adaptador en su lugar, entornille el cartucho Quick Clear en el adaptador Quick Clear.

Paso 6



Para empezar el proceso de limpieza, sujete el adaptador Quick Clear en su lugar y desentornille el cartucho Quick Clear. **1/4 de vuelta solamente.**

Paso 7



Desentornille el cartucho Quick Clear primero, luego desentornille el adaptador Quick Clear y deseche el cartucho Quick Clear vacío. Recuerde guardar el adaptador Quick Clear para uso futuro.

Solución de problemas

Problema	Causa probable	Soluciones
<p>La unidad no arranca</p> <p>La luz LED roja parpadea a intervalos de 7 segundos</p>	<ol style="list-style-type: none"> 1. El tanque de propano puede estar vacío 2. Si el tanque de propano es nuevo y acaba de llenarse, debe purgarse. 3. Puede haber una conexión suelta. 4. La línea de combustible puede estar bloqueada con contaminantes de propano. 	<ol style="list-style-type: none"> 1. Pese el tanque y compare con el peso "vacío" que está escrito en el tanque. 2. Lleve el tanque a un local de llenado. Puede haber aire en la línea de combustible. Solicite que purguen el tanque. Sugerencia: Si tiene otro dispositivo accionado con propano que funciona con un tanque estándar de propano de 20 lb. (9 kg), intente conectar dicho tanque a la trampa Liberty Plus para verificar que el problema proviene de su tanque. 3. Revise todas las conexiones. Asegúrese de que la válvula del tanque de propano esté completamente abierta. 4. Consulte las instrucciones del adaptador Quick Clear en la página 13.
<p>La unidad no permanece en funcionamiento</p>	<ol style="list-style-type: none"> 1. Pueden aplicar las "causas posibles" 1 y 3 anteriores. 2. La línea de combustible puede estar bloqueada con contaminantes de propano. 3. El regulador no está totalmente conectado. 	<ol style="list-style-type: none"> 1. Repita los pasos 1 y 3 anteriores. 2. Consulte las instrucciones del adaptador Quick Clear en la página 13. 3. Consulte los Consejos para cambiar el tanque en la página 8.
<p>Captura baja o no hay captura</p>	<ol style="list-style-type: none"> 1. Los insectos quizás no hayan salido todavía. 2. Problema con la ubicación de la trampa. 3. Los ciclos de reproducción de insectos quizás no se han roto todavía. 4. El flujo Counterflow ha sido interrumpido. 	<ol style="list-style-type: none"> 1. Verifique que la temperatura esté constantemente por encima de 50°F (10°C). 2. Siga los pasos de la sección "Ubicación de la trampa" del manual del propietario o consulte el CD-ROM con instrucciones incluido con la trampa Liberty Plus. 3. Deje funcionando la trampa constantemente 24 horas al día, durante 7 días a la semana durante por lo menos 4 a 6 semanas para reducir la población de mosquitos. 4. El flujo de aire puede estar restringido. Llame al Servicio de Atención al Cliente al: 1-800-953-5737.
<p>La luz LED parpadea entre ROJO y VERDE a intervalos de 7 segundos</p>	<p>Elevada temperatura</p>	<ol style="list-style-type: none"> 1. Apague la trampa y deje enfriar durante 1/2 hora. Luego vuelva a encender. Si el código continúa, llame al Servicio de Atención al Cliente al: 1-800-953-5737.
<p>La luz LED parpadea entre ROJO y ANARANJADO a intervalos de 7 segundos</p>	<p>Batería con bajo voltaje</p>	<ol style="list-style-type: none"> 1. Asegúrese de haber cargado la batería durante 24 horas antes de encender la trampa la primera vez cuando la saque de su caja, y la primera vez antes de cada estación. 2. Revise las conexiones de la batería, asegúrese de que estén completamente insertadas. 3. Después de varios intentos fallidos de encender la unidad Mosquito Magnet®, puede que sea necesario volver a cargar la batería.
<p>La luz LED roja parpadea doble a intervalos de 7 segundos</p>	<p>Fallo del termistor</p>	<p>Comuníquese con el Servicio de Atención al Cliente llamando al 1-800-953-5737.</p>
<p>Luz LED roja encendida</p>	<p>Fallo eléctrico</p>	<p>Comuníquese con el Servicio de Atención al Cliente llamando al 1-800-953-5737.</p>

Servicio de Atención al Cliente ****Por favor tenga a la mano el número de serie, la fecha de compra y el tipo de modelo****

Todo el personal de Woodstream® Corporation desea que usted tenga una completa satisfacción con la unidad Liberty Plus. Si tiene problemas que no puede resolver, simplemente llame a uno de nuestros representantes del Servicio de Atención al Cliente al **1-800-953-5737** o visite www.mosquitomagnet.com. Lo ayudaremos hasta lograr que su unidad funcione.



Garantía limitada

Garantía limitada

Esta garantía por (1) año a partir de la fecha de la compra de la unidad, se extiende sólo al comprador/usuario original de los productos.

Woodstream® Corporation garantiza que sus productos están libres de defectos en materiales y mano de obra por el período de garantía otorgado al comprador/usuario original.

Para obtener el servicio de garantía, por favor comuníquese con el Servicio de Atención al cliente llamando al (800) 953-5737. Por favor, indique la naturaleza del defecto.

Si Woodstream Corporation determina que puede haber un defecto, Woodstream Corporation le entregará un número de Autorización de Devolución de Producto (RGA, por las siglas en inglés de Return Goods Authorization). La unidad o partes defectuosas deben devolverse para la inspección de garantía utilizando el número RGA, si corresponde, como identificación, dentro de un plazo de (30) días a partir de la fecha de autorización de la devolución.

NO devuelva los productos a nuestra fábrica sin consentimiento previo ya que los mismos, así como los envíos con pago al momento de entrega (C.O.D.) serán rechazados.

Woodstream Corporation o un agente, como opción alternativa, reemplazarán la unidad, reemplazarán la parte o partes defectuosas y le devolverán la unidad a usted. La única obligación de Woodstream Corporation y el único recurso que tiene usted bajo esta garantía se limitará a dicho reemplazo.

Limitaciones y exclusiones:

La garantía no se aplicará a problemas que resulten del desgaste normal o por el hecho de no seguir las instrucciones que se adjuntan. Adicionalmente, la presente garantía no se aplicará a productos con números de serie si el número de serie ha sido retirado o borrado; productos sometidos a negligencia, accidente, operación, mantenimiento o almacenamiento inapropiados; productos dañados por circunstancias fuera del control de Woodstream Corporation; productos modificados (tales como, entre otras, modificaciones como resultado del uso de partes o aditamentos no autorizados) o reparados por personas que no sean de Woodstream Corporation o las personas que la compañía designe.

La presente garantía reemplaza a todas las otras garantías, explícitas o implícitas tales como, entre otras, las garantías implícitas de comercialización e idoneidad para un propósito particular. No se extenderá por un plazo mayor a la duración de la garantía expresa indicada en la presente, y el recurso por las violaciones de cualquier garantía se limitará a la reparación o reemplazo del producto defectuoso en conformidad con los términos aquí especificados. Woodstream Corporation no será responsable por daños consecuentes o incidentales de ninguna clase.

Esta garantía le proporciona a usted derechos legales específicos y también puede tener otros derechos legales que pueden variar según el lugar.

Registro del producto

Registre el producto en línea en www.mosquitomagnet.com o envíe por correo el formulario debidamente llenado hoy mismo: Woodstream® Corporation, Attn: Mosquito Magnet® Consumer Care, 69 North Locust Street, Lititz, PA 17543

Nombre	Apellido		
Dirección			
Ciudad	Estado/provincia	Código postal	País
Número de teléfono	Dirección de correo electrónico		<input type="checkbox"/> Sí, deseo recibir actualizaciones del producto por correo.

1. ¿Dónde compró este producto?

Sitio web _____ Nombre de la tienda _____ Centro de servicios _____

2. ¿Cómo se enteró acerca de Mosquito Magnet®? (marque todas las respuestas que correspondan)

Propaganda de radio Correo Propaganda de la TV Amigo/familiar Sitio web Propaganda de revista
 Propaganda de periódico Artículo en revista (periódico, revista, TV, etc.) Frontgate Muestra en la tienda Otros

3. En su casa, ¿quién decidió la compra de Mosquito Magnet?

Hombre Mujer Ambos

4. ¿Cuál es su estado civil?

Soltero/a Casado/a

5. ¿Hay niños en su hogar?

Sí No

6. ¿Cuáles son las dos razones más importantes que influenciaron su compra?

Protección contra mosquitos que pueden transmitir enfermedades Reputación de calidad
 La ciencia/tecnología del producto Comodidad
 Recomendación de un amigo/familiar Regalo
 Recomendación de un vendedor Otros

7. ¿Cuál es su edad?

25 – 35 36 – 45 46 – 55 56 – 70 70+

8. ¿Cuál es su nivel de educación?

Diploma de secundaria Título universitario Título de maestría Título de doctorado Técnico/profesional

9. ¿Cuál es su ingreso familiar anual?

\$25,000 – 39,999 \$40,000 – 59,999 \$60,000 – 89,999 Over \$90,000

10. ¿Qué otra marca de producto contra mosquitos ha intentado utilizar?

Cazadores Rociadores Pesticidas Otras trampas en base a CO₂, Nombre: _____

11. ¿Estaría dispuesto a ofrecer un testimonio después de estar completamente convencido de la efectividad de la trampa Mosquito Magnet?

Sí No

12. ¿Están las instrucciones de ensamblaje y operación explicadas clara y simplemente?

Sí No

13. ¿Necesitó atención al cliente?

Sí No

INFORMACION NECESARIA

Con el fin de registrar este producto correctamente con Woodstream® Corporation, es necesario obtener la información siguiente.

Modelo: Encierre en un círculo uno de los siguientes

Defender Liberty Liberty Plus

No. de serie:

Fecha de compra:

Por favor, visite www.mosquitomagnet.com para obtener información sobre un proveedor de servicio local.

Confidencialidad del consumidor: Toda la información recolectada en esta tarjeta de respuesta es solamente para propósitos de venta y marketing de Woodstream® Corporation. Ninguna parte de la información que usted proporcione será vendida o alquilada a otra compañía, organización o agente para ningún propósito. Ninguna parte de esta información será colocada en el sitio web de la compañía ni en ningún otro medio que pueda ser de acceso público. Si desea realizar comentarios o testimonios adicionales acerca del producto, por favor diríjalos por separado y envíelos a nuestro Departamento de Marketing a la dirección que aparece dentro del manual.

