



# MOSQUITO MAGNET<sup>®</sup>

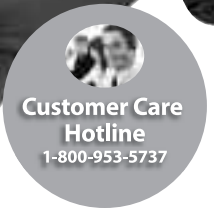
Advanced Mosquito Defense Systems



## Leader in 360° Customer Support

- Customer Care Hotline: 1-800-953-5737
- Online Assistance Available
- Certified Service Locations

*Find out more at [www.mosquitomagnet.com](http://www.mosquitomagnet.com)!*



## INDEPENDENCE<sup>™</sup>

*For Outdoor Use Only  
1440-630*

# Operation Manual



# Welcome

Congratulations on your purchase of Mosquito Magnet®. Now you can begin to enjoy your outdoor living space again.

Mosquito Magnet is the #1 mosquito trap in North America. Backed by 18 years of research and independent testing, Mosquito Magnet is scientifically proven to effectively reduce mosquitoes & other biting insects from your yard.

Mosquito Magnet is easy to use. The enclosed CD-ROM provides key information for getting started. In this manual, you'll learn everything you need to know about how it works, optimal trap placement, maintenance, storage and warranty information. The keys to success are trap placement, utilization of the correct attractant for your area and routine maintenance. For optimal catch rate, you'll need to change the propane tank and attractant every 21 days and use the Quick Clear Cartridge every tank change.

Our Customer Care line is available to answer all your questions regarding your new purchase. Please feel free to contact us...

**Customer Care: 1-800-953-5737**

Visit us online at [www.mosquitomagnet.com](http://www.mosquitomagnet.com) for additional information regarding Mosquito Magnet, tips, testimonials, and additional product offerings.

**Woodstream® Corporation**  
69 North Locust Street  
Lititz, PA 17543  
1-800-953-5737  
[www.mosquitomagnet.com](http://www.mosquitomagnet.com)

**Patents:**  
USA: Nos. 6,145,243; 6,286,249; 6,817,140; 6,840,005;  
6,848,466; 6,892,492; 7,074,830; 7,243,458; 7,281,351 and  
7,293,387  
Canada: Nos. 2,265,944 and 2,322,038  
Europe: Nos. 1,011,324; 1,049,373 and 1,432,304  
Other patents pending

Made in China

## FOR YOUR SAFETY

### If you smell gas:

1. Shut off the gas to the appliance.
2. Extinguish any open flame.
3. Open lid.
4. If odor continues, immediately call your gas supplier or your fire department.

## FOR YOUR SAFETY

1. Do not store or use gasoline or other flammable vapors and liquids in the vicinity of this or any other appliance.
2. An LP cylinder not connected for use shall not be stored in the vicinity of this or any other appliance.

# Contents

<b>Safety Instructions</b>	<b>3</b>
<b>Principal Parts</b>	<b>4</b>
<b>Assembly Instructions</b>	<b>5</b>
<b>Set-Up</b>	<b>6-9</b>
Bug Bag Installation	
Trap Placement	
Propane Tank Installation	
Using the Correct Attractant	
Octenol Attractant Installation	
<b>Instructions</b>	<b>10</b>
Starting Instructions	
Shut Down Instructions	
When Not In Use	
End of Season Storage	
For Best Results	
<b>Maintenance</b>	<b>11</b>
Maintenance	
Propane Tank Changing Tips	
Maintenance Schedule	
<b>Quick Clear Valve</b>	<b>12</b>
<b>Troubleshooting</b>	<b>13</b>
LED Fault Codes	
<b>Warranty</b>	<b>14</b>
<b>Product Registration</b>	<b>15</b>

## Questions or Comments

Please contact Woodstream® Corporation if you have any questions or experience any problems with your Mosquito Magnet®:  
**1-800-953-5737**

Woodstream® Corporation  
69 North Locust Street, Lititz, PA 17543  
[www.mosquitomagnet.com](http://www.mosquitomagnet.com)

<b>Model No.:</b>	Independence™
<b>Serial No.:</b>	
<b>Type of Gas:</b>	Propane
<b>Manifold Pressure:</b>	100 – 110 psi
<b>Minimum Gas Supply Pressure:</b>	11.0 in. WC
<b>Input Rating:</b>	759 Btu/Hr.
<b>Minimum Clearances:</b>	20–24"



## How the Mosquito Magnet® Works

Mosquitoes and other biting insects use the long-range attractant carbon dioxide (CO<sub>2</sub>) to locate people. Once in close proximity, mosquitoes use short-range attractants such as scents emitted from the skin, to determine which person they are going to bite. The Mosquito Magnet mimics a human by converting propane to CO<sub>2</sub>, with its patented catalytic conversion technology, in combination with a short-range attractant.

Attracted by the CO<sub>2</sub> and short-range attractant, mosquitoes and other biting insects are drawn to the Mosquito Magnet. When they reach the trap, the insects are vacuumed into a bug bag by our patented Counterflow Technology™, where they dehydrate and die within 24 hours.

The Mosquito Magnet is silent, odorless and runs 24/7. When properly placed in your yard, the **trap begins working immediately. Noticeable results can be achieved in 7 to 10 days.** To greatly reduce your biting insect population, allow 4 weeks. Leave the Mosquito Magnet out all summer long, to control the mosquito population in your yard.

Only biting insects are targeted including mosquitoes, no-see-ums, black flies and midges. Beneficial insects such as butterflies, bees or moths are not targeted.



# Safety Instructions

**Please read and follow all safety instructions and warnings.**

Children and adults should be alerted to the hazards of high surface temperatures and should stay away to avoid burns or clothing ignition.

Young children should be carefully supervised when they are in the area of the heater. Keep out of reach of children.

Clothing or other flammable materials should not be hung from the heater, or placed on or near the heater.

**Note:** Some or all of the following required safety instructions for propane powered devices may apply to your trap. Allow trap to cool for 5 minutes before re-starting.

**Warning:** Improper installation, adjustment, alteration, service or maintenance can cause injury or property damage. Read the installation, operating and maintenance instructions thoroughly before installing or servicing the trap.

**Caution:** The gas pressure regulator provided with this appliance must be used. This regulator is set for an outlet pressure of 11.0 in. Water Column. The minimum inlet gas supply pressure is 11.0 in. Water Column from regulator.

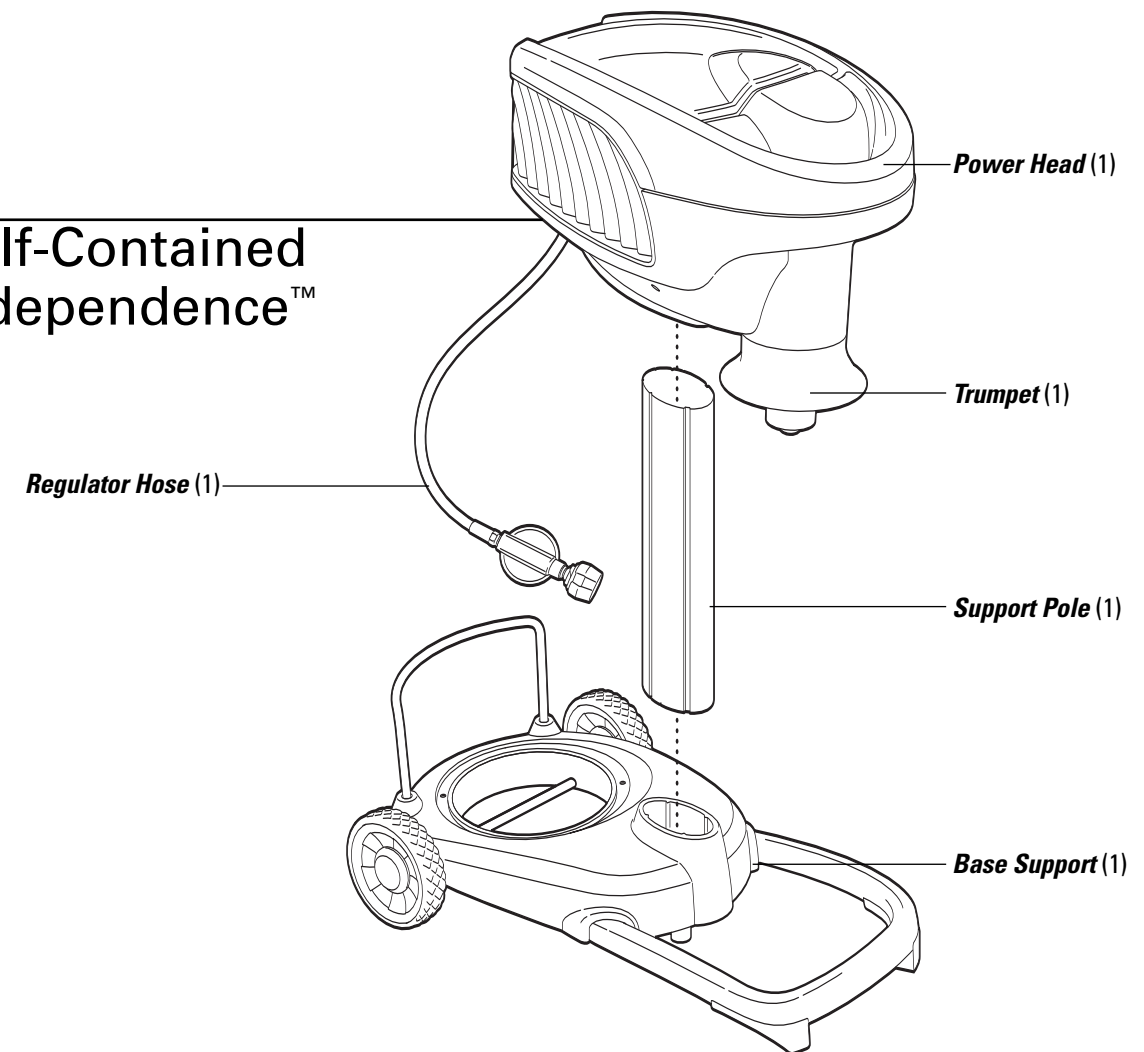
- This unit is not intended to be installed in or on recreational vehicles and/or boats.
- The gas supply must be turned off at the LP-Gas supply cylinder when this appliance is not in use.
- The installation must conform with local codes or, in the absence of local codes, with the National Fuel Gas Code, ANSI Z223. 1-1998 for US and with the CAN1-B149 for Canada.
- To test for a gas leak, place soapy water around the connector, regulator, and gas hose assembly. If bubbles appear, there is a gas leak.
- Inspect the hose before each use of the unit. If it is evident there is excessive abrasion or wear, or the hose is cut, it must be replaced prior to the unit being put into operation. The replacement hose shall be that specified by the manufacturer.
- The trap is equipped with an internal spark. Failure to follow starting procedure will result in the trap not starting.
- Installation and repair should be done by a qualified service person (find service centers on [www.mosquitomagnet.com](http://www.mosquitomagnet.com)). The heater should be inspected before use and at least annually by a qualified service person. More frequent cleaning may be required as necessary. It is imperative that the control compartment, burners, and circulating air passageways of the heater be kept clean.

- Maintain adequate clearances of 20"–24" around air openings into the combustion chamber, clearances from combustible material, provisions for accessibility and for combustion and ventilating air supply. Keep the trap area clear and free from combustible materials, gasoline, and other flammable vapors and liquids. The appliance is not to be used in locations where flammable vapor or explosive dust is likely to exist.
- Do not obstruct the flow of combustion and ventilation air.
- Keep the ventilating openings of the cylinder enclosure free and clear from debris.
- Clean the trap with a water damp cloth, if necessary.
- A maximum of a 20 lb. LP-Gas cylinder shall be used.
- The LP-Gas cylinder must be provided with a shut-off valve terminating in an LP-Gas supply cylinder valve outlet specified for Connection No. 510 in the Standard for Compressed Gas Cylinder Valve Outlet and Inlet Connections, ANSI/CGA-V-1-1977.
- The LP-Gas cylinder supply system must be arranged for vapor withdrawal and the cylinder must include a collar to protect the cylinder valve.
- The LP-Gas cylinder used shall be constructed and marked in accordance with the specifications for LP-Gas cylinders of the U.S. Department of Transportation (DOT) or The National Standard of Canada CAN/CSA-B339.
- The trap shall be used outdoors only in a well ventilated space and shall not be used in a building, garage, or any other enclosed area.
- The LP-Gas cylinder must be disconnected and removed from the appliance, if the appliance is stored indoors.
- LP-Gas cylinders must be stored outdoors in a well-ventilated area out of reach of children.
- Disconnected cylinders must have threaded valve plugs tightly installed and must not be stored in a building, garage, or any other enclosed area.
- The pressure regulator and hose assembly supplied with this appliance must be used for connection to the LP-Gas cylinder. Replacement pressure regulators and hose assemblies must be specified by the manufacturer.
- Avoid improper use of extension cords. Keep connections away from moisture and avoid damage to the cord.
- If the supply cord is damaged, it must be replaced by the manufacturer or its service agent or a similarly qualified person in order to avoid hazard.

Please contact Customer Care if you have any questions at:  
**1-800-953-5737**  
 or visit [www.mosquitomagnet.com](http://www.mosquitomagnet.com)

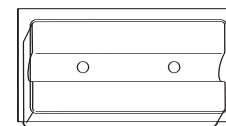
# Principal Parts

## Self-Contained Independence™



## Parts Included

**Mosquito Magnet® Octenol Biting Insect Attractant**  
 EPA Reg. No. 72563-1 (Short-Range Attractant)



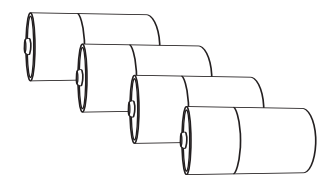
**Bug Bag**



**Quick Clear Adapter**



**4 "C" Batteries**



# MOSQUITO MAGNET®

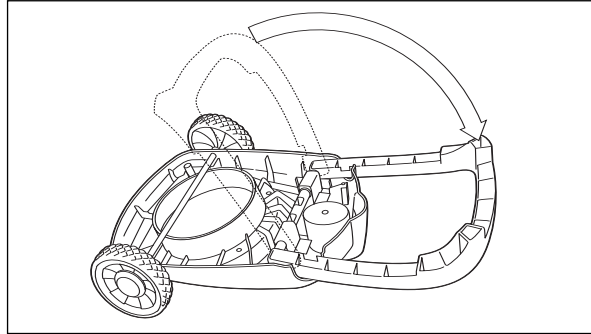


# MOSQUITO MAGNET®

# Assembly Instructions

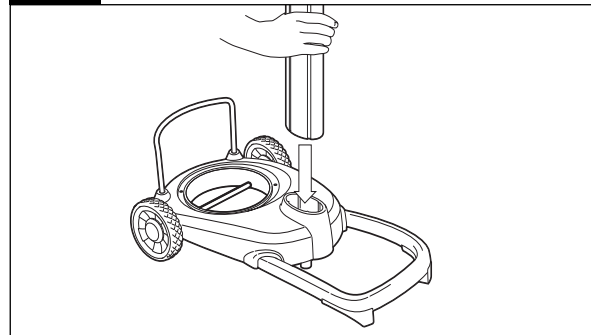
## Trap Assembly:

### Step 1



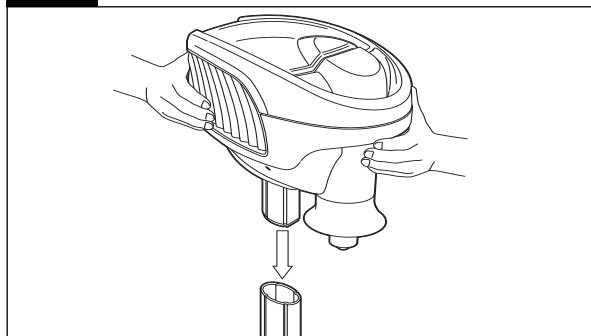
Place base upside down on a flat surface, unfold U-shaped support leg until it locks in place.

### Step 2



Turn base and leg assembly right-side-up and place support pole into cavity on base.

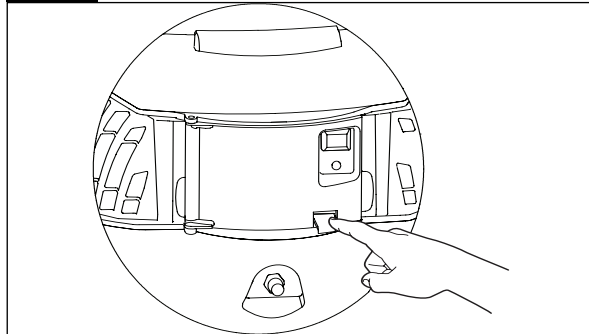
### Step 3



Place trap power head onto pole. Press down firmly with two hands to secure.

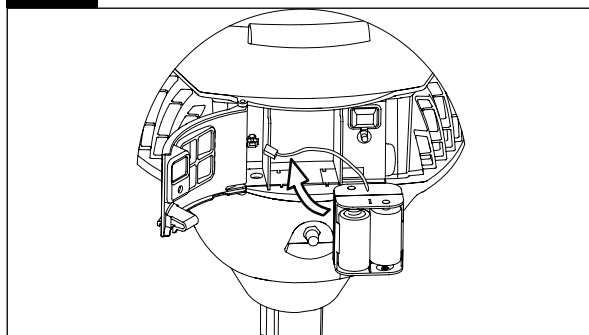
Assembled trap should have the front of power head/trumpet placed farthest from the wheels in the same direction as base U-shaped legs.

### Step 4



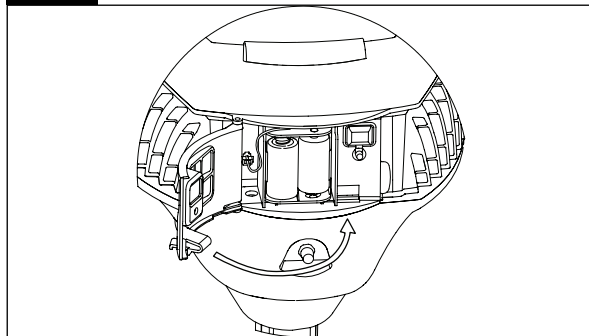
Open battery door in the rear of the trap.

### Step 5



Place four (4) "C" batteries in the battery cage and insert into the opening.

### Step 6



Close battery door when complete (snaps into place).

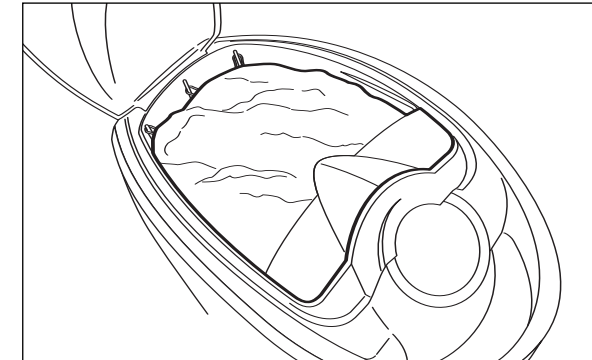
The batteries will last all season.

# Set-Up

## Bug Bag Installation:

Lift clear plastic lid and lock plastic holding bracket of bug bag into front of compartment. Close plastic lid when finished.

**Note:** Fabric loops hook over plastic posts allowing bug bag to expand to its highest capacity.



Bug bag locks into front of compartment

## Trap Placement

1. Determine the direction of the prevailing wind. Check local weather patterns if you are unsure.
2. Stand in the center of the area you are trying to protect and look toward the prevailing wind.
3. Proper placement of the trap will be 30 – 40 feet in front of you, within 5-6 feet of ground cover (i.e. bushes, flowerbeds, tree line, marshbed). Ensure that trap is not directly against any blockades such as buildings, fences, etc.
4. It is recommended that the trap be placed in the shade.
5. Do not place trap directly above a water source (sprinklers, hose, etc.).
6. Trap must be placed on level ground to avoid tipping or uneven propane distribution.
7. For optimal trap placement in your yard, refer to the instructional CD-ROM included with your trap; or, go to [www.mosquitomagnet.com](http://www.mosquitomagnet.com) to build your own yard diagram for correct trap placement.



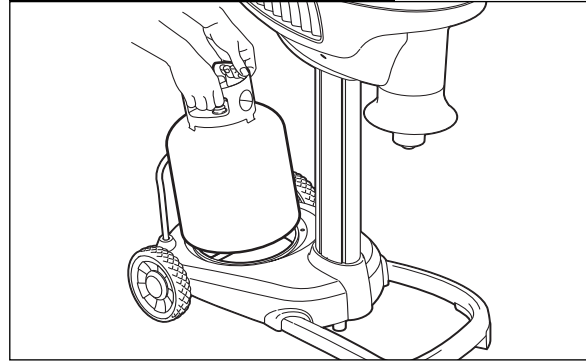
# Set-Up

## Propane Tank Installation

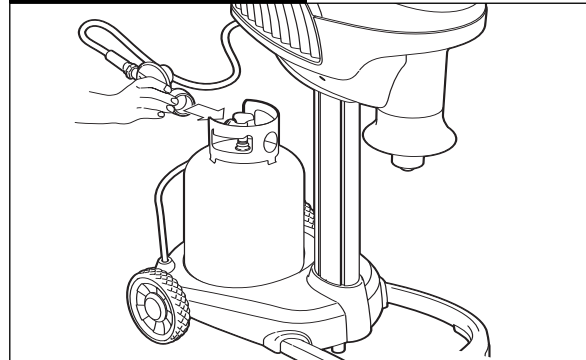
1. After trap is placed in its ideal location, place propane tank onto the molded cradle.
2. Making sure propane tank is fully closed, attach propane regulator hose to propane tank. Secure tightly by hand. **Do not use tools.**
3. Turn propane on by *slowly* turning valve counter-clockwise. Take care not to turn too quickly to avoid engagement of safety valve.

**DO NOT MOVE TRAP WITH TANK ATTACHED!**  
⚠ TANK MUST BE DISCONNECTED FROM REGULATOR BEFORE TRAP IS RELOCATED TO AVOID DAMAGE TO REGULATOR AND/OR TRAP. BE ADVISED, DAMAGE CAUSED FROM FAILURE TO COMPLY WITH THIS INSTRUCTION IS NOT COVERED UNDER WARRANTY.

Step 1 – Propane Tank Placement



Step 2 – Attach Regulator



Step 3 – Slowly Open Valve



# Set-Up

## USING THE CORRECT ATTRACTANT OPTIMIZES THE CATCH RATE OF YOUR TRAP.

### Mosquito Magnet® Octenol

- If you live in the northern half of the U.S., or along any coastal areas in the U.S., use a fresh Mosquito Magnet Octenol cartridge every time you change the propane tank.

### Lurex<sup>3</sup>

- If you live in the southern half of the U.S., the Asian Tiger mosquito *may* be the predominant species in your area.
- Lurex<sup>3</sup> is an attractant specially designed to capture hard to catch and aggressive, day-biting species such as the Asian Tiger mosquito.
- To find out if Lurex<sup>3</sup> is right for you, go to [www.mosquitomagnet.com](http://www.mosquitomagnet.com).
- Use a fresh Lurex<sup>3</sup> cartridge every time you change the propane tank.



**MOSQUITO MAGNET®**



**MOSQUITO MAGNET®**

# Set-Up

## Octenol Attractant Installation

1. Locate Mosquito Magnet® Octenol Biting Insect Attractant. Remove mosquito attractant packet from bag. Carefully peel back foil cover.
2. Locate the octenol carrier compartment inside the plume tube. Turn cap counter-clockwise about 1/8 turn. Remove end cap.
3. Place the open packet of mosquito attractant into the carrier compartment.
4. Replace end cap on carrier compartment. Be sure to align cap's "feet" with grooves inside carrier compartment. Secure cap by turning clockwise until it clicks (about 1/8 turn).

## Precautionary Statements

### Hazards to Humans and Domestic Animals.

**Caution:** Harmful if swallowed. Avoid contact of skin, eyes or mouth with the evaporation holes. Wash hands before eating, drinking, chewing gum, using tobacco or using bathroom facilities.

### First Aid

#### If swallowed

- Call poison control center or doctor immediately for treatment advice.
- Have person sip a glass of water if able to swallow.
- Do not induce vomiting unless told to do so by the poison control center or doctor.
- Do not give anything by mouth to an unconscious person.

#### If on skin or clothing

- Take off contaminated clothing.
- Rinse skin immediately with plenty of water for 15-20 minutes.
- Call a poison control center or doctor for treatment advice.

#### If in eyes

- Hold eye open and rinse slowly and gently with water for 15-20 minutes.
- Remove contact lenses, if present, after the first 5 minutes, then continue rinsing eye.
- Call a poison control center or doctor for treatment advice.

#### If inhaled

- Move person to fresh air.
- If person is not breathing, call 911 or an ambulance, then give artificial respiration, preferably by mouth-to-mouth, if possible.
- Call a poison control center or doctor for treatment advice.

**Have the product container or label with you when calling a poison control center or doctor, or going for treatment.**

**Environmental Hazards:** Do not apply directly to water. Do not contaminate water when disposing of equipment washwaters or rinsate.

## Directions for Use

**It is a violation of federal law to use this product in a manner inconsistent with its labeling.**

**Replace cartridge every 21 days\*** (Note: After 21 days of use, cartridge appears the same; however, it will no longer be effective as the octenol will have been released.)

\*Based on release rate studies conducted at a constant ambient air temperature of 80° F for 21 days. Octenol release from this product will be more rapid at higher ambient air temperature.

### Storage & Disposal

Do not contaminate water, food or feed by storage or disposal.

**Storage:** Store unopened attractant cartridge in a cool, dry place. Discard outer plastic bag in trash.

**Disposal:** Do not reuse attractant cartridge. Dispose of used attractant cartridge in the trash.

### Step 1



### Step 2



### Step 3



### Step 4



# Instructions

**\*\*READ MANUAL BEFORE STARTING\*\***

## Starting Instructions

It is recommended that you read the entire manual before starting the Mosquito Magnet® trap.

1. Insert attractant in compartment per instructions in attractant packaging.
2. Install 4 "C" Batteries into the rear compartment.
3. Connect regulator to propane tank (see page 7).
4. Slowly turn propane tank valve on.
5. Push ON/OFF switch to ON position. LED light will turn solid orange indicating warm-up. After 15 - 25 minutes, trap LED light will turn solid green indicating the trap is running at full capacity.

## Shut Down Instructions

To shut down the Mosquito Magnet, simply close the valve on the propane tank and switch to the "OFF" position.

## When Not In Use

If the unit is not in use, the gas must be turned off at the supply cylinder. Storage of this unit indoors is permissible only if the cylinder is disconnected and removed. Cylinders must be stored outdoors, out of reach of children and must not be stored in a building, garage or any other enclosed area.

## End of Season Storage

Push ON/OFF switch to OFF position to shut down the trap. The LED light will go out and the fan will continue running until trap is cool. Close the propane tank valve and disconnect regulator. Remove the 4 "C" batteries and discard.

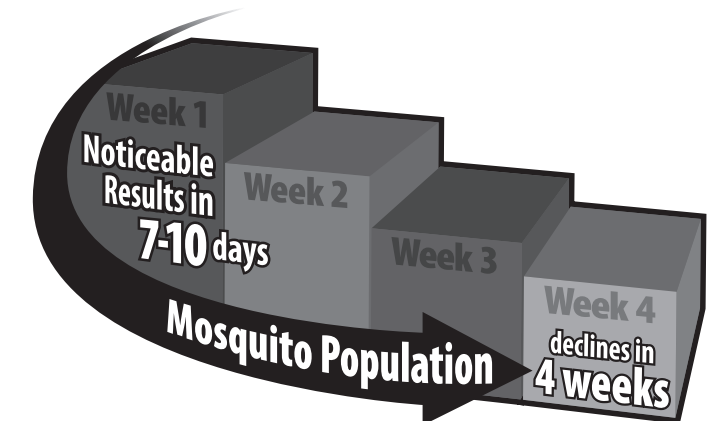
Any open Mosquito Magnet® attractant should be removed and discarded. See attractant label for disposal instructions. The bug bag should also be discarded prior to storing the trap.

**STORAGE:** The trap should be stored indoors in a garage or shed in the off-season. Cover trumpet to prohibit insects from nesting. Cover unit with trap cover available at [www.mosquitomagnet.com](http://www.mosquitomagnet.com) or with a tarp and secure tightly at the bottom to keep out dust, spider webs and other debris.

**NOTE:** It is recommended that you use the Quick Clear adapter before seasonal storage to avoid build-up of contaminants during off-season (see page 12).

## For Best Results (unit must run for 24 hours/day)

- Your trap will begin capturing immediately with significant reduction in the mosquito population in 7-10 days. Allow 4 weeks to significantly reduce the mosquito population in your yard.



- Allow trap to cool for 5 minutes before re-start.
- Never spray insecticide in or around trap.
- Trap can be left running in the rain.
- If using lime or fertilizer compounds, be sure to shut down the trap first to prevent dust or fine mist from being drawn into trap and clogging bug bag.

**Warning:** Improper installation, adjustment, alteration, service or maintenance can cause injury or property damage. Read the installation, operating and maintenance instructions thoroughly before installing or servicing this equipment.

**Caution:** The gas pressure regulator provided with this appliance must be used. This regulator is set for an outlet pressure 11.0 in. water column.

The gas supply must be turned off at the LP-Gas supply cylinder when this appliance is not in use.

## Leader in 360° Customer Support

- Customer Care Hotline: 1-800-953-5737
- Online Product Registration Available
- Visit [www.mosquitomagnet.com](http://www.mosquitomagnet.com) for Troubleshooting Tips/Trap Placement
- Certified Service Locations – Information Available at [www.mosquitomagnet.com](http://www.mosquitomagnet.com)



# Maintenance

## Maintenance

### • 21 Day Maintenance Cycle

- Refill propane. (Propane lasts approximately 21 days with 24-hour/7-days operation.)
- Replace short-range attractant cartridge. See Mosquito Magnet® attractant label for instructions.
- Empty or replace bug bag.
- Utilize the Quick Clear adapter at every tank change.
- Periodically wipe down the outside of the trap with a clean, water damp cloth.
- Replace your 4 "C" Batteries every season.

### Propane Tank Changing Tips

When attaching the regulator knob to a tank after a tank change, be sure to fully tighten the regulator knob onto the tank. No need to use tools, but do turn the knob as far as possible by hand. When this is done, loosen the knob 1/4 turn, then re-tighten to maximize seal.

The purpose for this is to fully engage the regulator onto the tank. If the regulator is not fully engaged, the flow of gas may be restricted to the point where the trap will show a gas empty code. If this occurs, press the off button, close the tank valve, and remove the regulator from the tank. Re-attach the regulator and try again.

### Maintenance Schedule

Note: Bug bags should be replaced when half full. You can find all your accessory needs at [www.mosquitomagnet.com](http://www.mosquitomagnet.com) or at your Certified Mosquito Magnet Hardware or Home Improvement Store.

	Example	Season 1	Season 2	Season 3	Season 4
Purchase Date	4/1				
Register Warranty	4/1				
Start Up Date	4/1				
<b>SERVICE:</b>					
Seasonal Tune-Up		3/15			
<b>MAINTENANCE:</b>					
Propane & Attractant Change	4/21				
Quick Change Cartridge	4/21				
Propane & Attractant Change	5/11				
Quick Change Cartridge	5/11				
Propane & Attractant Change	5/31				
Quick Change Cartridge	5/31				
Propane & Attractant Change	6/20				
Quick Change Cartridge	6/20				
Propane & Attractant Change	7/10				
Quick Change Cartridge	7/10				
<b>SERVICE - WINTERIZATION</b>					
Discard Bug Bag & Attractant					
Cover Trap Trumpet to avoid nesting insects					
Keep in garage or shed					

# Easy Quick Clear Valve

⚠ **Important: Extinguish all smoking materials prior to use of Easy Quick Clear Valve. Do not stand directly behind the Quick Clear cartridge during operation.**

⚠ **Use of PROTECTIVE eyewear is recommended.**

**Quick Clear is recommended for regular maintenance to remove built-up contaminants.**

Recommended for use at every tank change. Also recommended for use before seasonal storage to avoid build up of contaminants during the off-season. Instructions for "Easy Quick Clear Valve" maintenance procedure shall be provided on a label attached to trap where easily visible by user.

The Easy Quick Clear Valve is a threaded knob located on the back of your trap. It should be used with the adapter included with your trap, and a threaded Quick Clear cartridge available on our website at [www.mosquitomagnet.com](http://www.mosquitomagnet.com) or at your local hardware or home improvement store.

1. **Important: Shut down your trap. Let fan run until it stops.** (About 5 minutes.)
2. Close the propane tank valve by turning to the "OFF" position. (Turn the tank valve clockwise.)
3. Remove the protective cap from Easy Quick Clear valve located in the back of the trap.
4. Hand-screw the Quick Clear adapter on to Quick Clear valve, until finger tight.
5. Hand-screw the Quick Clear cartridge into the Quick Clear adapter clockwise until hand tight while holding the adapter in place. **Important: Do not over-tighten.**
6. While holding the adapter in place *slowly* unscrew Quick Clear cartridge up to *1/4 turn only* in counter clockwise direction from the Quick Clear adapter only. The strong flow of compressed air lasts approximately 45 seconds. Be sure to allow Quick Clear cartridge to run out completely. (Hissing will stop when cylinder is empty. Quick Clear cartridge will be cold to the touch.)
7. Unscrew the Quick Clear cartridge to remove. Discard empty Quick Clear cartridge after use, it is not reusable or refillable.
8. Unscrew the Quick Clear adapter to remove.  
Use caution when removing Quick Clear adapter and cartridge, as some compressed air may come out at this time. Remember to keep the Quick Clear adapter for future use.
9. Replace Easy Quick Clear Valve protective cap, and proceed with normal start up of your trap. If use of Easy Quick Clear valve feature does not resolve starting trouble, contact Customer Care **1-800-953-5737**.

### Step 4



First hand-screw the Quick Clear adapter onto the valve.

### Step 5



While holding the adapter in place, screw the Quick Clear cartridge into Quick Clear adapter.

### Step 6



To start cleaning process, while holding Quick Clear Adapter in place, unscrew the Quick Clear cartridge **1/4 Turn Only**.

### Step 7



Unscrew the Quick Clear cartridge first, then unscrew Quick Clear adapter and discard the spent Quick Clear cartridge. Remember to keep the Quick Clear adapter for future use.



# Troubleshooting

<b>Problem</b>	<b>Possible Cause</b>	<b>Solutions</b>
<b>Unit won't start</b>  <b>Red LED light flashing at 7 second intervals</b>	1. Propane tank may be empty. 2. If propane tank is new and has been newly filled it must be purged. 3. There could be a loose connection. 4. Fuel line maybe blocked by propane contaminants.	1. Weigh tank and check against "empty" weight written on tank. 2. Bring tank to filling location. Air may be in fuel line. Ask for tank to be purged. <i>Hint: If you have another propane powered device operating on a standard, 20 lb propane tank, try hooking that tank up to the Independence™ to verify that the issue is with your tank.</i> 3. Verify all connections. Make sure propane tank valve is fully open. 4. See Quick Clear adapter instructions on page 12.
<b>Unit won't stay running</b>	1. 'Possible Causes' 1 & 3 above may apply. 2. Fuel line may be blocked by propane contaminants. 3. Regulator is not fully engaged.	1. Go through above steps 1 & 3. 2. See Quick Clear adapter instructions on page 12. 3. See Tank Changing Tips on page 7.
<b>Low or No Catch</b>	1. Insects may not be out yet. 2. Trap placement issue. 3. Biting insect reproductive cycles have not yet been broken. 4. Counterflow may be disrupted.	1. Verify temperature is consistently over 50°F (10°C). 2. Follow steps in the "Trap Placement" section of your owner's manual or refer to your instructional CD-ROM included with your trap. 3. Keep trap in constant operation 24 hours/day, 7 days per week for at least 4 weeks to reduce the mosquito population. 4. Air flow may be restricted. Call Customer Care at: <b>1-800-953-5737</b> .
<b>LED Flashing alt RED/GREEN at 7 second intervals</b>	High Temperature	1. Turn off trap and allow to cool for 1/2 hour. Then restart. If code continues, call Customer Care at: <b>1-800-953-5737</b> .
<b>LED Flashing alt RED/ORANGE at 7 second intervals</b>	Battery Voltage Low	1. Make sure the 4 "C" batteries are properly installed and fresh. 2. Ensure the battery cage connector is properly installed. 3. After several repeated unsuccessful attempts, replace with 4 new "C" batteries.
<b>Double flashing Red LED at 7 second intervals</b>	Thermister fault	1. Contact Customer Care at 1-800-953-5737
<b>LED light solid red</b>	Electrical fault	1. Contact Customer Care at 1-800-953-5737

**Customer Care** \*\*Please have your serial number, date of purchase & model type available\*\*

All of us at Woodstream® Corporation want you to get complete satisfaction from your trap. Should you have any problems you cannot resolve, simply call one of our trained Customer Care Representatives at **1-800-953-5737** or visit [www.mosquitomagnet.com](http://www.mosquitomagnet.com). We will help you get up and running.

# Limited Warranty

## Limited Warranty

This warranty, (1) year from the purchase of the unit, is extended only to the original purchaser/user of products.

Woodstream® Corporation warrants its products to be free from defects in materials and workmanship for the warranty period by the original purchaser/user.

For warranty service, please contact our Customer Care (800) 953-5737. Please indicate the nature of the defect.

If Woodstream Corporation determines there may be a defect, Woodstream Corporation will issue a Return Goods Authorization (RGA) number. The defective unit or parts must be returned for warranty inspection using the RGA number, when applicable, as identification within (30) days of return authorization date. DO NOT return products to our factory without our prior consent, as they, as well as C.O.D. shipments, will be refused. Woodstream Corporation or agent, at its option, shall replace the unit, replace the defective part(s) and return such unit to you. Woodstream Corporation's sole obligation and your exclusive remedy under this warranty shall be limited to such replacement.

## Limitations and Exclusions:

The warranty shall not apply to problems arising from normal wear, or failure to adhere to the enclosed instructions. In addition, the foregoing warranty shall not apply to serial numbered products if the serial number has been removed or defaced; products subject to negligence, accident, improper operation, maintenance or storage; products damaged by circumstances beyond Woodstream Corporation's control; or products modified (including, but not limited to modifications through the use of unauthorized parts or attachments) or repaired by anyone other than Woodstream Corporation or its designee.

The foregoing warranty is exclusive and in lieu of all other warranties, express or implied, including without limitation the implied warranties of merchantability and fitness for a particular purpose. It shall not extend beyond the duration of the express warranty provided herein, and the remedy for violations of any warranty shall be limited to repair or replacement of the defective product pursuant to the terms contained herein. Woodstream Corporation shall not be liable for any consequential or incidental damages whatsoever.

This warranty gives you specific legal rights and you may also have other legal rights which may vary based on location.



# Product Registration

Register on-line at [www.mosquitomagnet.com](http://www.mosquitomagnet.com) or mail completed form today:

Woodstream® Corporation, Attn: Mosquito Magnet® Consumer Care, 69 North Locust Street, Lititz, PA 17543 USA

First Name \_\_\_\_\_ Last Name \_\_\_\_\_  
 Address \_\_\_\_\_  
 City \_\_\_\_\_ State/Province \_\_\_\_\_ Zip Code \_\_\_\_\_ Country \_\_\_\_\_  
 Phone Number \_\_\_\_\_ Email Address \_\_\_\_\_  Yes, I would like to receive product updates via email.

**1. Where did you buy this product?**

Website \_\_\_\_\_  Store Name \_\_\_\_\_  Service Center \_\_\_\_\_

**2. How did you find out about the Mosquito Magnet® (check all that apply)?**

Radio Ad  Direct Mail  TV Ad  Friend/Family  Website  Magazine Ad  
 Newspaper Ad  News Article (newspaper, magazine, TV, etc.)  Catalog  In-Store Display  Other

**3. In your household who decided to purchase the Mosquito Magnet?**

Male  Female  Both

**4. What is your marital status?**

Married  Single

**5. Are there any children in your household?**

Yes  No

**6. What are the two most important reasons influencing this purchase?**

Protection from mosquitoes that may transmit disease  Comfort  
 Science/technology behind product  Received as gift  
 Recommendation of friend/family member  Other  
 Recommendation of salesperson

<b>NECESSARY INFORMATION</b>		
In order to properly register your product with Woodstream® Corporation, the following information is required.		
<b>Model:</b> Circle One		
<input type="checkbox"/> Patriot	<input type="checkbox"/> Independence™	<input type="checkbox"/> Executive
Serial#:		
Date of purchase:		

**7. What is your age?**

25 – 35  36 – 45  46 – 55  56 – 65  66+

**8. What is your level of education?**

High School Diploma  College Degree  Graduate Degree  Doctoral Degree  Technical/Professional

**9. What is your annual household income?**

\$25,000 – 39,999  \$40,000 – 59,999  \$60,000 – 89,999  Over \$90,000

**10. What other brands of insect abatement have you tried?**

Zappers  Sprays  Pesticides  Other CO<sub>2</sub> Traps, Name: \_\_\_\_\_

**11. Would you consider giving a testimonial once you are thoroughly convinced of the effectiveness of the Mosquito Magnet?**

Yes  No

**12. Were the assembly directions and operation instructions explained clearly and simply?**

Yes  No

**13. Did you require customer care?**

Yes  No

Please visit [www.mosquitomagnet.com](http://www.mosquitomagnet.com) to find a local Certified Service Location.

**Consumer Confidentiality:** All of the information that has been gathered on this reply card is solely for the internal sales and marketing efforts of Woodstream® Corporation. None of the information that you may have provided will be sold, rented or leased to any other company, organization or agency for any purpose whatsoever. None of this information will be posted on our company website or any other vehicle that can be obtained by the public domain. If you wish to make additional comments or testimonials about our product, please address them separately and send them to our Marketing Department at the address listed inside the manual.

# Manual de operación



# Bienvenido

Felicitaciones por la compra de su equipo Mosquito Magnet®. Ahora puede empezar a gozar nuevamente del espacio al aire libre.

Mosquito Magnet es la primera trampa para mosquitos en Norteamérica. Con el apoyo de 18 años de investigación y pruebas independiente, la trampa Mosquito Magnet está científicamente probada para reducir los mosquitos y otros insectos que pican en su patio o jardín.

Mosquito Magnet es fácil de usar. El CD-ROM que viene con el producto proporciona información clave para empezar a utilizarlo. En este manual, usted obtendrá la información que necesita para saber cómo funciona, la ubicación óptima de la trampa, mantenimiento, almacenamiento y garantía. Las claves del éxito son la ubicación de la trampa, la utilización del cebo atrayente correcto para su área y el mantenimiento de rutina. Para lograr la caza óptima de mosquitos, deberá cambiar el tanque de propano y el cebo atrayente cada 21 días y utilizar el cartucho Quick Clear cada vez que cambie el tanque.

Nuestra línea de Servicio de Atención al Cliente está disponible para responder sus preguntas referentes a su nueva compra. No dude en comunicarse con nosotros...

**Servicio de Atención al Cliente: 1-800-953-5737**

Visítenos en [www.mosquitomagnet.com](http://www.mosquitomagnet.com) para obtener información adicional sobre Mosquito Magnet, consejos, testimonios y ofertas de productos adicionales.

## Woodstream® Corporation

69 North Locust Street  
Lititz, PA 17543  
1-800-953-5737

[www.mosquitomagnet.com](http://www.mosquitomagnet.com)

### Patentes:

EE.UU.: No. 6,145,243; 6,286,249; 6,817,140; 6,840,005;  
6,848,466; 6,892,492; 7,074,830; 7,243,458; 7,281,351 y  
7,293,387

Canadá: No. 2,265,944 y 2,322,038

Europa: No. 1,011,324; 1,049,373 y 1,432,304

Otras patentes pendientes

Hecho en China



# MOSQUITO MAGNET

1e

# Indice

<b>Instrucciones de seguridad</b>	<b>3e</b>
<b>Parte principales</b>	<b>4e</b>
<b>Instrucciones de ensamblaje</b>	<b>5e</b>
<b>Instalación</b>	<b>6e-9e</b>
Instalación de la bolsa para insectos	
Ubicación de la trampa	
Instalación del tanque de propano	
Utilización del cebo atrayente apropiado	
Instalación del cebo atrayente de octenol	
<b>Instrucciones</b>	<b>10e</b>
Instrucciones de inicio	
Instrucciones de apagado	
Cuando no está en uso	
Almacenamiento al final de la temporada	
Para lograr los mejores resultados	
<b>Mantenimiento</b>	<b>11e</b>
Mantenimiento	
Consejos para cambiar el tanque de propano	
Cronograma de mantenimiento	
<b>Válvula Easy Quick Clear</b>	<b>12e</b>
<b>Solución de problemas</b>	<b>13e</b>
Códigos de fallos LED	
<b>Garantía</b>	<b>14e</b>
<b>Registro del producto</b>	<b>15e</b>

## Preguntas o comentarios

Por favor, comuníquese con Woodstream® Corporation si tiene preguntas o problemas con el producto Mosquito Magnet®:  
**1-800-953-5737**

Woodstream® Corporation  
69 North Locust Street  
Lititz, PA 17543  
[www.mosquitomagnet.com](http://www.mosquitomagnet.com)

<b>Modelo No.:</b>	Independence™
<b>No. de serie:</b>	
<b>Tipo de gas:</b>	Propano
<b>Presión del distribuidor:</b>	100 – 110 psi
<b>Presión mínima del suministro de gas:</b>	28 cm de columna de agua
<b>Capacidad nominal de entrada:</b>	759 Btu/Hr.
<b>Espacios libres mínimos:</b>	De 51 a 61 cm



Tecnología patentada Counterflow Technology™

## Cómo funciona Mosquito Magnet®

Los mosquitos y otros insectos que pican utilizan el dióxido de carbono (CO<sub>2</sub>) atrayente de largo alcance para ubicar a las personas. Una vez cerca, los mosquitos utilizan atrayentes de corto alcance como los olores que emite la piel, con el fin de determinar la persona a la que van a picar. Mosquito Magnet imita al ser humano mediante la conversión de gas propano en CO<sub>2</sub>, con su tecnología de conversión catalítica patentada, en combinación con un cebo atrayente de corto alcance.

Los mosquitos y otros insectos que pican, atraídos por el CO<sub>2</sub> y el cebo atrayente de corto alcance, se dirigen hacia la trampa Mosquito Magnet. Al llegar a la trampa, una bolsa para insectos los aspira utilizando la tecnología patentada Counterflow Technology™, en donde se deshidratan y mueren en 24 horas.

La trampa Mosquito Magnet es silenciosa, inodora y funciona 24 horas, 7 días a la semana. Si está ubicada en el lugar apropiado en su patio o jardín, **la trampa empieza a funcionar inmediatamente. Pueden lograrse resultados visibles entre 7 y 10 días.** Para reducir significativamente la población de insectos que pican, permita que pasen entre 4 semanas. Para controlar la población de mosquitos en su patio o jardín, deje funcionando la trampa Mosquito Magnet todo el verano.

La trampa sólo atrapa insectos que pican tales como mosquitos, zancudos, moscas negras y jejenes. La trampa no se dirige a insectos benéficos tales como mariposas, abejas o polillas.



# MOSQUITO MAGNET

2e

# Instrucciones de seguridad

**Por favor, lea y siga las instrucciones y advertencias de seguridad.**

Se debe alertar a los niños y adultos de los peligros de las temperaturas elevadas de las superficies y deberán mantenerse alejados para evitar quemaduras o que la ropa se incendie.

Los niños pequeños deberán estar bajo supervisión cuando estén alrededor del área del calentador. Manténgase el equipo fuera del alcance de los niños.

No debe colgar ropa ni materiales inflamables en el calentador, ni colocarlos encima o cerca del mismo.

**Nota:** Algunas o todas las siguientes instrucciones de seguridad para dispositivos activados con gas propano pueden aplicarse a su trampa. Deje que la trampa se enfríe durante 5 minutos antes de volver a encenderla.

**Advertencia:** La instalación, ajuste, alteración, servicio o mantenimiento inadecuados pueden causar lesiones personales o daños materiales. Lea atentamente las instrucciones de instalación, operación y mantenimiento antes de instalar o de dar mantenimiento a la trampa.

**Precaución:** Debe utilizar el regulador de presión de gas que viene con este artefacto. Este regulador está fijado para una presión de salida de 28 cm de columna de agua. La presión mínima del suministro de gas de entrada es para 28 cm de columna de agua del regulador.

- Esta unidad no está diseñada para instalarse en vehículos recreacionales ni en botes.
- Cuando este artefacto no esté en uso, debe apagar el suministro de gas en el tanque de suministro de gas propano.
- La instalación debe hacerse en conformidad con los códigos locales o, en ausencia de códigos locales, de acuerdo con el Código Nacional de Gas Combustible, ANSI Z223.1-1998 para EE.UU., y de acuerdo con CAN1-B149 para Canadá.
- Para determinar si hay fuga de gas, coloque agua jabonosa alrededor del ensamblaje del conector, regulador y manguera de gas. Si aparecen burbujas, significa que hay una fuga de gas.
- Revise la manguera antes de utilizar la unidad. Si es evidente que hay abrasión o desgaste excesivos, o si la manguera tiene un corte, debe cambiarse antes de hacer funcionar la unidad. La manguera de repuesto debe ser la que especifica el fabricante.
- La trampa está equipada con un mecanismo de chispa interno. El no seguir el procedimiento de arranque puede causar que la trampa no arranque.
- La instalación y la reparación deben hacerlas el personal de mantenimiento calificado (puede encontrar centros de mantenimiento en [www.mosquitomagnet.com](http://www.mosquitomagnet.com)). Personal de mantenimiento calificado debe inspeccionar el calentador antes de usarlo por lo menos una vez al año. Puede requerirse limpieza con más frecuencia, si es necesario.

Es imperativo que se mantengan limpios el compartimiento de control, los quemadores y las vías de circulación de aire del calentador.

- Mantenga espacios libres adecuados de 51 a 61 cm alrededor de las aberturas de aires que van hacia la cámara de combustión; mantenga lejos los materiales combustibles; deje espacio libre para facilitar el acceso y para que haya suficiente aire para combustión y ventilación. Mantenga el área de la trampa libre de materiales combustibles, gasolina y otros vapores y líquidos inflamables. No debe utilizarse este artefacto en lugares donde probablemente exista vapor combustible o polvos explosivos.
  - No obstruya el flujo de aire de combustión y ventilación.
  - Mantenga libres y sin residuos as aberturas de ventilación del recinto del tanque.
  - Limpie la trampa con un trapo húmedo, si es necesario.
  - Debe utilizar un tanque de gas propano de un máximo de 20 lb (9 kg).
  - El tanque de gas propano debe tener una válvula de cierre que termina en una salida de válvula de tanque de gas propano especificada para Conexión No. 510 conforme al estándar de EE.UU. "Standard for Compressed Gas Cylinder Valve Outlet and Inlet Connections" (Estándar para Conexiones de Salida y Entrada de Válvula de Tanque de Gas Comprimido), ANSI/CGA-V-1-1977.
  - El sistema de suministro del tanque de gas propano debe estar diseñado para la extracción de vapor y el tanque debe venir con un cuello para proteger la válvula del tanque.
  - El tanque de gas propano que se use debe estar construido y marcado de acuerdo con las especificaciones de tanques de gas del Departamento de Transporte de los EE.UU. o el Estándar Nacional de Canadá CAN/CSA-B339.
  - La trampa debe utilizarse en exteriores solamente, en un área con buena ventilación y no debe utilizarse en un edificio, garaje ni en ningún otro lugar cerrado.
  - Si se almacena el artefacto en interiores, debe desconectar el tanque de gas propano y retirarlo del artefacto.
  - Los tanques de gas propano deben almacenarse en exteriores en un área con buena ventilación y fuera del alcance de los niños.
  - Los tanques desconectados deben tener tapones de válvula roscados instalados y no deben almacenarse en un edificio, garaje ni en áreas cerradas.
  - Debe utilizarse el regulador de presión y el ensamblaje de manguera suministrados con este artefacto para la conexión del tanque de gas propano. Los reguladores de presión y el ensamblaje de manguera de reemplazo deben ser los que especifica el fabricante.
  - Evite el uso inapropiado de cordones de extensión. Mantenga las conexiones alejadas de humedad y evite el daño del cordón.
  - Si se daña del cordón de suministro, debe ser reemplazado por el fabricante o su agente de servicio o por una persona calificada similar con el fin de evitar peligros.
- Si tiene preguntas, por favor, comuníquese con el Servicio de Atención al Cliente llamando al número:

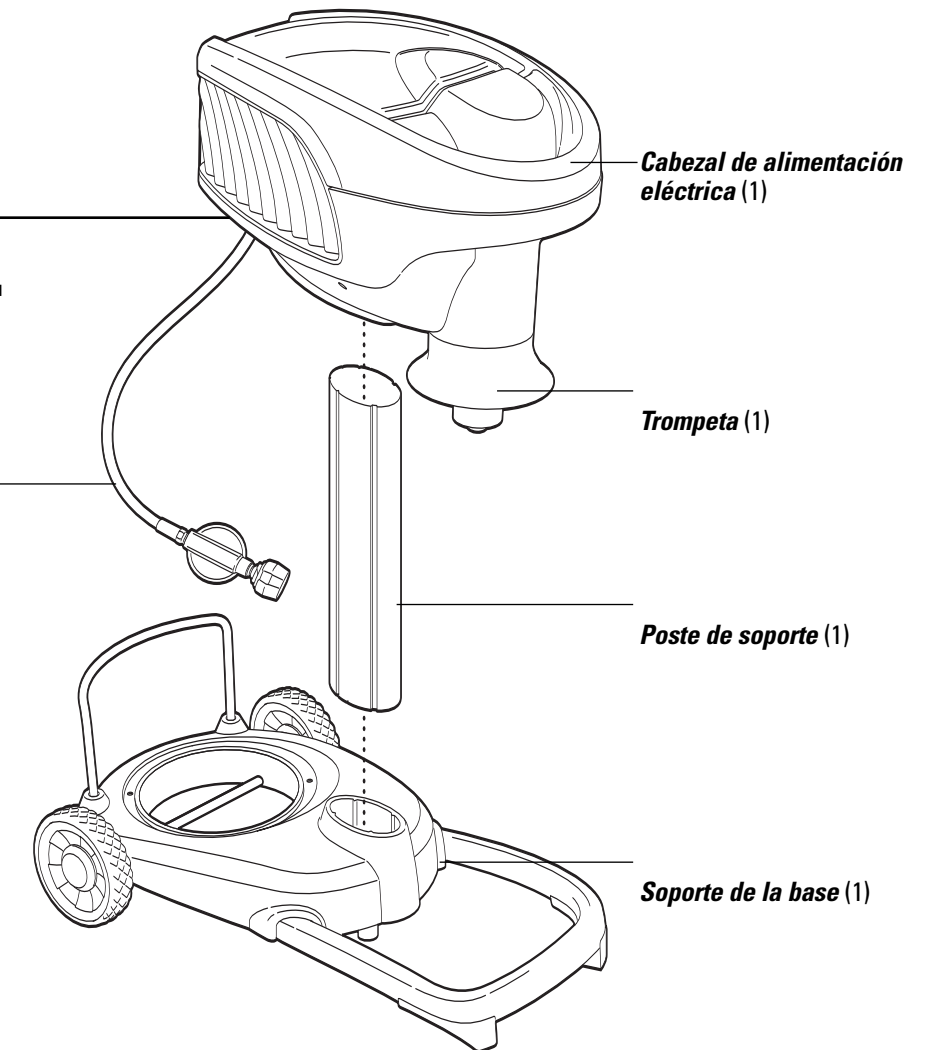
**1-800-953-5737**

**o visite [www.mosquitomagnet.com](http://www.mosquitomagnet.com)**

# Partes principales

## Artefacto Independence™ autónomo

Manguera del regulador (1)



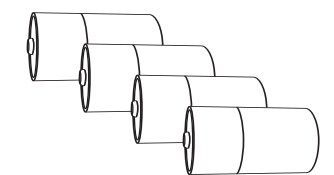
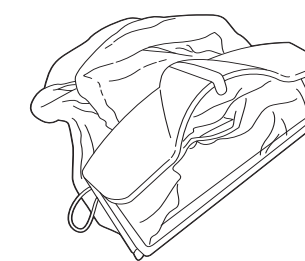
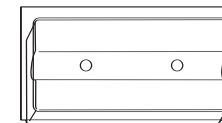
## Partes incluidas

**Cebo atrayente para insectos que pican Mosquito Magnet® a base de octenol** Reg. EPA No. 72563-1 (Cebo atrayente de corto rango)

**Adaptador Quick Clear**

**Bolsa para insectos**

**4 Baterías "C"**



**MOSQUITO MAGNET**

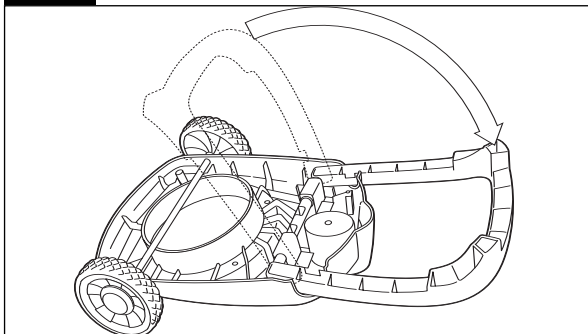


**MOSQUITO MAGNET**

# Instrucciones de ensamblaje

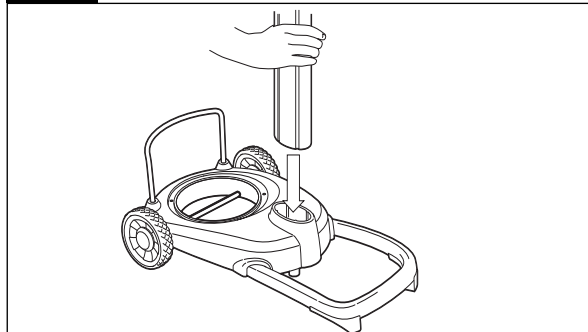
## Ensamblaje de la trampa:

### Paso 1



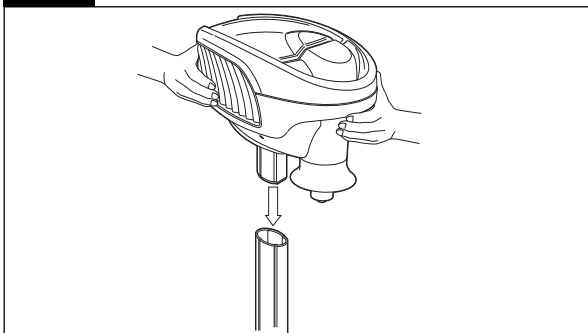
Coloque la base en una posición invertida sobre una superficie plana, despliegue la pata de apoyo en forma de U hasta que encaje en su lugar.

### Paso 2



Voltee la base y el ensamblaje de la pata a su posición normal y coloque el poste de soporte dentro de la cavidad de la base.

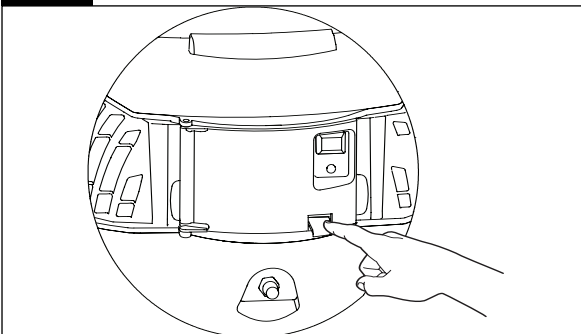
### Paso 3



Coloque el cabezal de alimentación eléctrica de la trampa en el poste. Presione firmemente hacia abajo con ambas manos hasta que esté asegurado.

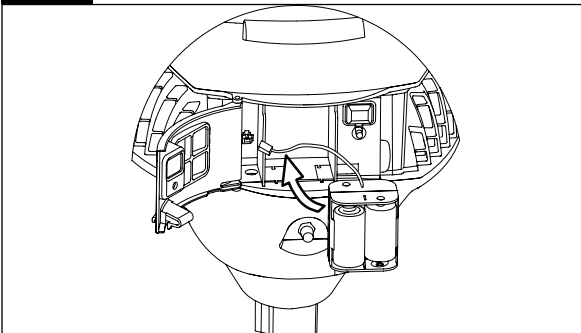
Una vez ensamblada la trampa, la parte frontal del cabezal de alimentación eléctrica/trompeta debe estar lo más lejos posible de las ruedas en la misma dirección que las patas en forma de U de la base.

### Paso 4



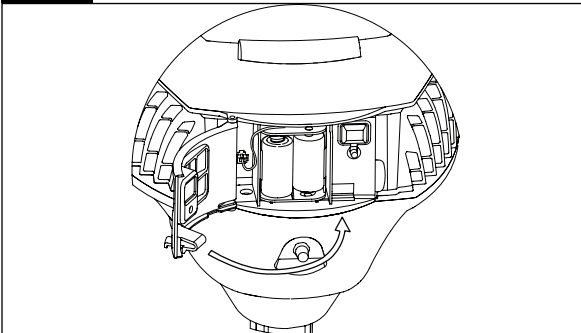
Abra la puerta de las baterías situada en la parte trasera de la trampa.

### Paso 5



Coloque cuatro (4) baterías "C" en el soporte de baterías e insértelo en la abertura.

### Paso 6



Al terminar, cierre la puerta de las baterías (encajará en su sitio).

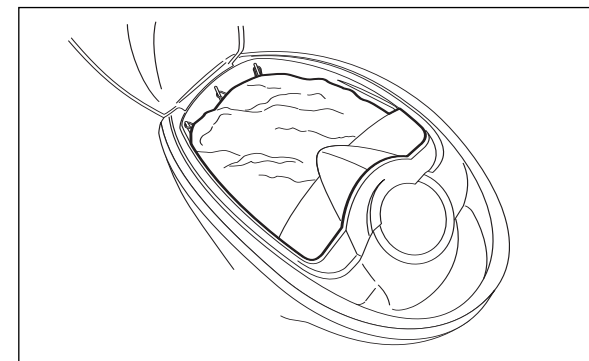
Las baterías durarán toda la temporada.

# Instalación

## Instalación de la bolsa para insectos:

Levante la tapa de plástico transparente y fije el soporte plástico de retención de la bolsa para insectos en la parte frontal del compartimiento. Cierre la tapa de plástico después de terminar.

**Nota:** Los lazos de la fibra se enganchan en los postes de plástico para que pueda expandirse hasta su capacidad máxima.



**La bolsa para insectos se asegura en la parte frontal del compartimiento.**

## Ubicación de la trampa

1. Determine la dirección del viento predominante. Consulte los patrones del tiempo local si no está seguro.
2. Párese en el centro del área que intenta proteger y mire en dirección hacia el viento predominante.
3. La ubicación apropiada de la trampa será entre 9 y 12 m en frente de usted, con una cobertura de terreno de entre 1,5 y 1,8 m (es decir, arbustos, cantero de flores, líneas de árboles, pantano). Asegúrese que la trampa no esté ubicada contra objetos de bloqueo como edificios, cercas, etc.
4. Se recomienda ubicar la trampa en la sombra.
5. No coloque la trampa directamente debajo de una fuente de agua (rociadores, manguera, etc.).
6. La trampa debe colocarse sobre un piso plano para evitar que se voltee o que haya una distribución desigual del gas propano.
7. Para lograr una ubicación óptima de la trampa en su patio o jardín, consulte el CD-ROM con instrucciones incluido con la trampa; o visite [www.mosquitomagnet.com](http://www.mosquitomagnet.com) para crear su propio diagrama de patio para una correcta ubicación de la trampa.



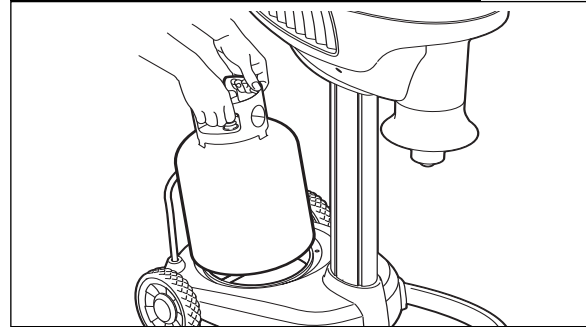
# Instalación

## Instalación del tanque de propano

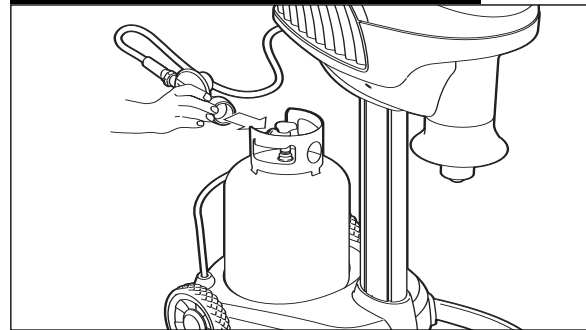
1. Después de colocar la trampa en su ubicación ideal, coloque el tanque de propano en el receptáculo moldeado.
2. Asegúrese que el tanque de propano esté completamente cerrado. Conecte la manguera del regulador de propano al tanque de propano. Asegure firmemente con la mano. **No utilice herramientas.**
3. Active el gas propano girando lentamente la válvula en sentido contrario a las manecillas del reloj. Tenga cuidado de no voltear muy rápidamente para evitar que se active la válvula de seguridad.

**¡NO MUEVA LA TRAMPA CON EL TANQUE INSTALADO!** DEBE DESCONECTAR EL TANQUE DEL REGULADOR ANTES DE REUBICAR LA TRAMPA PARA EVITAR DAÑAR EL REGULADOR Y/O LA TRAMPA. TENGA PRESENTE QUE EL DAÑO CAUSADO POR NO CUMPLIR CON ESTA INSTRUCCION NO ESTÁ CUBIERTO POR LA GARANTIA.

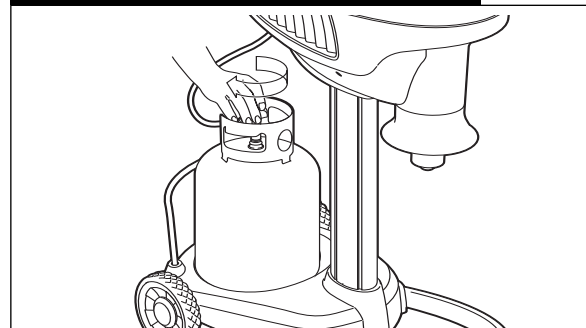
### Paso 1 – Ubicación del tanque de propano



### Paso 2 – Colocar el regulador



### Paso 3 – Abrir la válvula lentamente



# Instalación

## EL USO DEL CEBO ATRAYENTE APROPIADO OPTIMIZA LA EFICIENCIA DE CAZA DE LA TRAMPA.

### Octenol Mosquito Magnet®

- Si vive en la parte norte de los EE.UU., o a lo largo de las áreas costeras de EE.UU., utilice un cartucho nuevo de Mosquito Magnet Octenol cada vez que cambie el tanque de propano.

### Lurex<sup>3</sup>

- Si vive en la parte sur de los EE.UU., el mosquito "Tigre Asiático" puede ser la especie predominante en su área.
- Lurex<sup>3</sup> es el cebo atrayente especialmente diseñado para capturar especies difíciles de cazar y agresivas que pican durante el día como el mosquito "Tigre Asiático".
- Para averiguar si Lurex<sup>3</sup> es el adecuado para usted, vaya a [www.mosquitomagnet.com/lurex](http://www.mosquitomagnet.com/lurex).
- Utilice una unidad nueva de cartucho Lurex<sup>3</sup> cada vez que cambie el tanque de propano.



**MOSQUITO MAGNET®**



**MOSQUITO MAGNET®**

# Instalación

## Instalación del cebo atrayente de octenol

1. Ubique el cebo atrayente para insectos que pican Mosquito Magnet® Octenol. Saque el paquete de cebo atrayente contra mosquitos de la bolsa. Desprenda cuidadosamente la cubierta de aluminio posterior.
2. Ubique el compartimiento para portar octenol que está dentro del tubo pluma. Gire la tapa en dirección contraria a las manecillas del reloj aproximadamente 1/8 de vuelta. Retire la tapa del extremo.
3. Coloque el cebo atrayente dentro del compartimiento portador.
4. Vuelva a colocar la tapa del extremo en el compartimiento portador. Asegúrese de alinear las "patas" de la tapa con las ranuras que están dentro del compartimiento portador. Asegure la tapa volteándola en sentido de las manecillas del reloj hasta que encaje (aproximadamente 1/8 de vuelta).

## Precauciones

### Peligros para los seres humanos y los animales domésticos.

**Precaución:** Es peligroso si se ingiere. Evite que la piel, los ojos o la boca entren en contacto con los agujeros de evaporación. Lávese las manos antes de comer, beber, mascar chicle, consumir tabaco o utilizar los servicios higiénicos.

## Primeros auxilios

### En caso de ingestión

- Llame inmediatamente al centro de control de intoxicaciones o a un médico para solicitar consejo sobre tratamiento.
- Haga que la persona beba, a tragos cortos, un vaso de agua si puede ingerir.
- No induzca el vómito a menos que lo indique el centro de control de intoxicaciones o un médico.
- No dé nada por la boca a una persona inconsciente.

### Si entra en contacto con la piel o la ropa

- Quítese la ropa contaminada.
- Enjuague la piel inmediatamente con bastante agua durante 15 a 20 minutos.
- Llame al centro de control de intoxicaciones o a un médico para solicitar consejos sobre tratamiento.

### Si entra en contacto con los ojos

- Mantenga el ojo abierto y enjuague lenta y suavemente con agua durante 15 a 20 minutos.
- Quítese los lentes de contacto, si los tiene, después de los primeros 5 minutos, luego continúe enjuagando el ojo con agua.
- Llame al centro de control de intoxicaciones o a un médico para solicitar consejos sobre tratamiento.

### En caso de inhalación

- Lleve a la persona al aire fresco.
- Si la persona no está respirando, llame al 911 o a una ambulancia, luego aplique respiración artificial, preferiblemente boca a boca, si es posible.
- Llame al centro de control de intoxicaciones o a un médico para solicitar consejo sobre tratamiento.

**Tenga el contenedor o etiqueta del producto a la mano cuando llame al centro de control de intoxicaciones o al médico, o cuando vaya a recibir tratamiento.**

**Peligros medioambientales:** No aplique directamente al agua. No contamine el agua al desechar el agua de limpieza o residuos de enjuague del equipo.

## Instrucciones de uso:

**Es una violación de la ley federal el utilizar este producto de una manera diferente a lo indicado en la etiqueta. Cambie el cartucho cada 21 días\*** (Nota: Después de 21 días de uso, el cartucho tiene la misma apariencia. Sin embargo, ya no tendrá la misma eficiencia debido a que el octenol se habrá agotado).

## Paso 1



## Paso 2



## Paso 3



## Paso 4



\*Basado en estudios de tasa de emisiones realizados en un ambiente a una temperatura de 80° F (27° C) durante 21 días. La emisión de octenol de este producto será mayor mientras más alta sea la temperatura del ambiente.

### Almacenamiento y desecho

No contamine el agua, los alimentos, ni la comida para animales al momento de almacenar o desechar.

**Almacenamiento:** Almacene el cartucho de cebo atrayente sin abrir en un lugar fresco y seco. Deseche la bolsa de plástico externa en la basura.

**Desecho:** No vuelva a utilizar el cartucho con cebo atrayente. Deseche el cartucho con cebo atrayente en la basura.

# Instrucciones

**\*\*LEA EL MANUAL ANTES DE EMPEZAR\*\***

## Instrucciones de inicio

Se recomienda leer el manual completamente antes de empezar a utilizar la trampa de Mosquito Magnet®.

1. Inserte la sustancia atrayente en el compartimiento de acuerdo a las instrucciones descritas en el paquete.
2. Instale 4 baterías "C" en el compartimiento trasero.
3. Conecte el regulador al tanque de propano (vea la página 7e).
4. Abra lentamente la válvula del tanque de propano.
5. Coloque el interruptor ON/OFF en la posición ON (activado). La luz LED se encenderá de color anaranjado fijo, lo cual indica que la unidad se está calentando. Después de 15 a 25 minutos, la luz LED de la trampa cambiará a verde fijo para indicar que la trampa está funcionando a plena capacidad.

## Instrucciones de apagado

Para apagar la unidad Mosquito Magnet simplemente cierre la válvula del tanque de propano y coloque el interruptor en la posición "OFF".

## Cuando no está en uso

Si la unidad no está en uso, debe desactivar el cilindro de suministro de gas. Puede guardar esta unidad en interiores sólo si desconecta y retira el cilindro. Los cilindros deben guardarse en exteriores, fuera del alcance de los niños. No deben guardarse en un edificio, ni en un garaje u otro lugar cerrado.

## Almacenamiento al final de la temporada

Para apagar la trampa la trampa coloque el interruptor ON/OFF en la posición OFF (apagado). Se apagará la luz LED y el ventilador seguirá funcionando hasta que la trampa se enfríe. Cierre la válvula del tanque de propano y desconecte el regulador. Retire las 4 baterías "C" y deséchelas.

Retire y deseche todo el cebo atrayente Mosquito Magnet®. Consulte la etiqueta del cebo atrayente para obtener las instrucciones de desecho. También debe desecharse la bolsa de insectos antes de almacenar la trampa.

**ALMACENAMIENTO:** La trampa debe almacenarse en interiores en un garaje o cobertizo durante las estaciones que no se usa. Cubra la trompeta para evitar que los insectos hagan nido. Cubra la unidad con la cubierta para trampa disponible en [www.mosquitomagnet.com](http://www.mosquitomagnet.com), o con una lona protectora y asegúrela firmemente a la base para evitar el polvo, las telarañas y otros residuos.

**NOTA:** Se recomienda utilizar el adaptador Quick Clear antes de guardar la trampa al final de la temporada para evitar que se acumulen contaminantes durante la temporada en que no se utiliza la unidad (vea la página 12e).

## Para obtener mejores resultados (la unidad debe funcionar durante 24 horas al día)

- La trampa empezará a cazar inmediatamente logrando una reducción significativa de la población de zancudos y mosquitos en 7 a 10 días. Permita que pasen 4 semanas para reducir significativamente la población de zancudos y mosquitos en su patio o jardín.



- Deje que la trampa se enfríe durante 5 minutos antes de volver a poner en marcha la unidad.
- Nunca rocíe insecticida en la trampa ni alrededor de ésta.
- La trampa puede funcionar bajo lluvia
- Si utiliza compuestos de cal o fertilizantes, asegúrese de apagar primero la trampa para evitar el ingreso de polvo o nebulización fina que pueden atorar la bolsa de insectos.

**Advertencia:** La instalación, ajuste, alteración, servicio o mantenimiento inadecuados pueden causar lesiones personales o daños materiales. Lea las instrucciones de instalación, operación y mantenimiento cuidadosamente antes de instalar o dar mantenimiento a este equipo.

**Precaución:** Debe utilizar el regulador de presión de gas que viene con este aparato. Este regulador está fijado para una presión de salida de 11.0 pulg. de columna de agua.

Cuando este aparato no esté en uso, debe apagar el suministro de gas en el cilindro de suministro de gas propano.

## Líder en soporte técnico al cliente 360°

- Línea directa de atención al Cliente: 1-800-953-5737
- Registro de productos en línea
- Visite [www.mosquitomagnet.com](http://www.mosquitomagnet.com) para obtener consejos para la resolución de problemas e información sobre la ubicación de la trampa
- Centros de Servicio Local - información disponible en [www.mosquitomagnet.com](http://www.mosquitomagnet.com)



# Mantenimiento

## Mantenimiento

### • Ciclo de mantenimiento de 21 días

- Recargue el gas propano. (El propano dura aproximadamente 21 días con un funcionamiento de 24 horas durante 7 días.)
- Cambie el cartucho de cebo atrayente de corto alcance. Consulte la etiqueta del cebo atrayente Mosquito Magnet® para obtener instrucciones.
- Vacíe o cambie la bolsa de insectos.
- Utilice el adaptador Quick Clear cada vez que cambie el tanque.
- Periódicamente limpie el exterior de la trampa con un trapo limpio y húmedo.
- Reemplace las 4 baterías "C" cada temporada.

### Consejos para cambiar el tanque de propano

Al conectar la perilla del regulador a un tanque después de un cambio de tanque, asegúrese de ajustar completamente la perilla del regulador al tanque. No necesita utilizar herramientas, pero asegúrese de girar la perilla todo lo posible a mano. Después de hacer esto, afloje la perilla 1/4 de vuelta, luego vuelva a ajustar para lograr el sello máximo.

El propósito de esto es enganchar el regulador completamente al tanque. Si el regulador no está completamente enganchado, puede restringirse el flujo de gas al punto en que la trampa indicará el código de falta de gas. Si esto ocurre, presione el botón OFF (apagado), cierre la válvula del tanque, y retire el regulador del tanque. Vuelva a colocar el regulador e intente nuevamente.

*Nota: Las bolsas de insectos deben cambiarse cuando estén llenas hasta la mitad. Puede encontrar todos los accesorios que necesita en [www.mosquitomagnet.com](http://www.mosquitomagnet.com) o en una ferretería o tienda de artículos para mejora del hogar con certificación para Mosquito Magnet.*

### Cronograma de mantenimiento

	Ejemplo:	Estación 1	Estación 2	Estación 3	Estación 4
Fecha de compra	4/1				
Registro de la garantía	4/1				
Fecha de inicio	4/1				
<b>SERVICIO:</b>					
Ajuste estacional		3/15			
<b>MANTENIMIENTO:</b>					
Cambio de propano y cebo atrayente	4/21				
Cartucho Quick Clear	4/21				
Cambio de propano y cebo atrayente	5/11				
Cartucho Quick Clear	—				
Cambio de propano y cebo atrayente	5/31				
Cartucho Quick Clear	5/31				
Cambio de propano y cebo atrayente	6/20				
Cartucho Quick Clear	—				
Cambio de propano y cebo atrayente	7/10				
Cartucho Quick Clear	7/10				
<b>SERVICIO-PREPARACIÓN PARA EL INVIERNO</b>					
Deseche la bolsa de insectos y el cebo					
Cubra la trompeta de la trampa para evitar los nidos de insectos					
Mantenga el producto en el garaje o en el cobertizo					

# Válvula Easy Quick Clear

⚠ **Importante:** Apague todos los materiales que emiten humo antes de utilizar la válvula Easy Quick Clear. No se pare detrás del cartucho Quick Clear durante el funcionamiento.

⚠ **Se recomienda usar gafas PROTECTORAS.**

**Se recomienda usar Quick Clear para el mantenimiento regular con el fin de retirar los contaminantes acumulados.**

Se recomienda usar cada vez que cambie el tanque. También se recomienda usar antes del almacenamiento de fin de temporada para evitar la acumulación de contaminantes durante la temporada que la unidad no se usa. Las instrucciones para el procedimiento de mantenimiento de la válvula Easy Quick Clear se encuentran en la etiqueta adherida a la trampa y en un lugar de fácil lectura para el usuario.

La válvula Easy Quick Clear es una perilla roscada ubicada en la parte posterior de la trampa. Debe utilizarse conjuntamente con el adaptador que viene con la trampa y un cartucho roscado Quick Clear disponibles en nuestro website: [www.mosquitomagnet.com](http://www.mosquitomagnet.com) o en una ferretería o tienda local de artículos para mejora del hogar.

1. **Importante:** Apague la trampa. Deje funcionar el ventilador hasta que se detenga (aproximadamente 5 minutos).
2. Cierre la válvula del tanque de propano colocándola en la posición "OFF" (apagado). (Gire la válvula del tanque en sentido de las manecillas del reloj.)
3. Retire la tapa protectora de la válvula Easy Quick Clear ubicada en la parte posterior de la trampa.
4. Entornille a mano el adaptador Quick Clear a la válvula Easy Quick Clear hasta que esté sienta con el dedo que está firmemente ajustada.
5. Entornille a mano el cartucho Quick Clear al adaptador Quick Clear girando en sentido de las manecillas del reloj hasta que sienta con la mano que está firmemente ajustado, mientras sujeta adaptador en su lugar. **Importante:** No ajuste excesivamente.
6. Mientras sujeta el adaptador en su lugar, desentornille despacio el cartucho Quick Clear del adaptador Quick Clear hasta 1/4 de vuelta solamente en sentido contrario a las manecillas del reloj. El flujo fuerte de aire comprimido dura aproximadamente 45 segundos. Asegúrese de dejar que el cartucho Quick Clear se consuma completamente. (El silbido se detendrá cuando el tanque esté vacío. El cartucho Quick Clear estará frío al tacto.)
7. Desentornille el cartucho Quick Clear para retirarlo. Descarte el cartucho Quick Clear vacío después de usar, no puede volverse a usar ni cargarse nuevamente.
8. Desentornille el adaptador Quick Clear para retirarlo. Tenga cuidado al retirar el adaptador y el cartucho Quick Clear, ya que puede salir un poco de aire comprimido en este momento. Recuerde guardar el adaptador Quick Clear para uso futuro.
9. Vuelva a colocar la tapa protectora de la válvula Easy Quick Clear, y proceda con el inicio normal de la trampa. Si el uso de la válvula Easy Quick Clear no resuelve el problema de inicio, comuníquese con el Servicio de Atención al Cliente llamando al 1-800-953-5737.

### Paso 4



Primero entornille a mano el adaptador Quick Clear en la válvula.

### Paso 5



Mientras sujeta el adaptador en su lugar, entornille el cartucho Quick Clear en el adaptador Quick Clear.

### Paso 6



Para empezar el proceso de limpieza, sujete el adaptador Quick Clear en su lugar y desentornille el cartucho Quick Clear. **1/4 de vuelta solamente.**

### Paso 7



Desentornille el cartucho Quick Clear primero, luego desentornille el adaptador Quick Clear y deseche el cartucho Quick Clear vacío. Recuerde guardar el adaptador Quick Clear para uso futuro.



# MOSQUITO MAGNET



# MOSQUITO MAGNET

# Solución de problemas

Problema	Causa probable	Soluciones
<p><b>La unidad no arranca</b></p> <p><b>La luz LED roja parpadea a intervalos de 7 segundos</b></p>	<p>1. El tanque de propano puede estar vacío</p> <p>2. Si el tanque de propano es nuevo y acaba de llenarse, debe purgarse.</p> <p>3. Puede haber una conexión suelta.</p> <p>4. La línea de combustible puede estar bloqueada con contaminantes de propano.</p>	<p>1. Pese el tanque y compare con el peso "vacío" que está escrito en el tanque.</p> <p>2. Lleve el tanque a un local de llenado. Puede haber aire en la línea de combustible. Solicite que purguen el tanque. Sugerencia: Si tiene otro dispositivo accionado con propano que funciona con un tanque estándar de propano de 20 lb. (9 kg), intente conectar dicho tanque a la trampa para verificar que el problema proviene de su tanque.</p> <p>3. Revise todas las conexiones. Asegúrese de que la válvula del tanque de propano esté completamente abierta.</p> <p>4. Consulte las instrucciones del adaptador Quick Clear en la página 12e.</p>
<p><b>La unidad no permanece en funcionamiento</b></p>	<p>1. Pueden aplicar las "causas posibles" 1 y 3 anteriores.</p> <p>2. La línea de combustible puede estar bloqueada con contaminantes de propano.</p> <p>3. El regulador no está totalmente conectado.</p>	<p>1. Repita los pasos 1 y 3 anteriores.</p> <p>2. Consulte las instrucciones del adaptador Quick Clear en la página 12e.</p> <p>3. Consulte los Consejos para cambiar el tanque en la página 7e.</p>
<p><b>Captura baja o no hay captura</b></p>	<p>1. Los insectos quizás no hayan salido todavía.</p> <p>2. Problema con la ubicación de la trampa.</p> <p>3. Los ciclos de reproducción de insectos quizás no se han roto todavía.</p> <p>4. El flujo Counterflow ha sido interrumpido.</p>	<p>1. Verifique que la temperatura esté constantemente por encima de 50°F (10°C).</p> <p>2. Siga los pasos de la sección "Ubicación de la trampa" del manual del propietario o consulte el CD-ROM con instrucciones incluido con la trampa.</p> <p>3. Deje funcionando la trampa constantemente 24 horas al día, durante 7 días a la semana durante por lo menos 4 semanas para reducir la población de mosquitos.</p> <p>4. El flujo de aire puede estar restringido. Llame al Servicio de Atención al Cliente al: <b>1-800-953-5737</b>.</p>
<p><b>La luz LED parpadea entre ROJO y VERDE a intervalos de 7 segundos</b></p>	<p>Elevada temperatura</p>	<p>1. Apague la trampa y deje enfriar durante 1/2 hora. Luego vuelva a encender. Si el código continúa, llame al Servicio de Atención al Cliente al: <b>1-800-953-5737</b>.</p>
<p><b>La luz LED parpadea entre ROJO y ANARANJADO a intervalos de 7 segundos</b></p>	<p>Batería con bajo voltaje</p>	<p>1. Asegúrese de que las 4 baterías "C" sean nuevas y estén correctamente instaladas.</p> <p>2. Asegúrese de que el conector del soporte de baterías esté correctamente instalado.</p> <p>3. Después de varios intentos fallidos repetidos, reemplace las 4 baterías "C" con otras nuevas.</p>
<p><b>La luz LED roja parpadea doble a intervalos de 7 segundos</b></p>	<p>Fallo del termistor</p>	<p>Comuníquese con el Servicio de Atención al Cliente llamando al <b>1-800-953-5737</b>.</p>
<p><b>Luz LED roja encendida</b></p>	<p>Fallo eléctrico</p>	<p>Comuníquese con el Servicio de Atención al Cliente llamando al <b>1-800-953-5737</b>.</p>

**Servicio de Atención al Cliente** \*\*Por favor tenga a la mano el número de serie, la fecha de compra y el tipo de modelo\*\*

Todo el personal de Woodstream® Corporation desea que usted tenga una completa satisfacción con la trampa. Si tiene problemas que no puede resolver, simplemente llame a uno de nuestros representantes del Servicio de Atención al Cliente al **1-800-953-5737** o visite [www.mosquitomagnet.com](http://www.mosquitomagnet.com). Lo ayudaremos hasta lograr que su unidad funcione.

# Garantía limitada

## Garantía limitada

Esta garantía por (1) año a partir de la fecha de la compra de la unidad, se extiende sólo al comprador/usuario original de los productos.

Woodstream® Corporation garantiza que sus productos están libres de defectos en materiales y mano de obra por el período de garantía otorgado al comprador/usuario original.

Para obtener el servicio de garantía, por favor comuníquese con el Servicio de Atención al cliente llamando al (800) 953-5737. Por favor, indique la naturaleza del defecto.

Si Woodstream Corporation determina que puede haber un defecto, Woodstream Corporation le entregará un número de Autorización de Devolución de Producto (RGA, por las siglas en inglés de Return Goods Authorization). La unidad o partes defectuosas deben devolverse para la inspección de garantía utilizando el número RGA, si corresponde, como identificación, dentro de un plazo de (30) días a partir de la fecha de autorización de la devolución.

NO devuelva los productos a nuestra fábrica sin consentimiento previo ya que los mismos, así como los envíos con pago al momento de entrega (C.O.D.) serán rechazados. Woodstream Corporation o un agente, como opción alternativa, reemplazarán la unidad, reemplazarán la parte o partes defectuosas y le devolverán la unidad a usted. La única obligación de Woodstream Corporation y el único recurso que tiene usted bajo esta garantía se limitará a dicho reemplazo.

## Limitaciones y exclusiones:

La garantía no se aplicará a problemas que resulten del desgaste normal o por el hecho de no seguir las instrucciones que se adjuntan. Adicionalmente, la presente garantía no se aplicará a productos con números de serie si el número de serie ha sido retirado o borrado; productos sometidos a negligencia, accidente, operación, mantenimiento o almacenamiento inapropiados; productos dañados por circunstancias fuera del control de Woodstream Corporation; productos modificados (tales como, entre otras, modificaciones como resultado del uso de partes o aditamentos no autorizados) o reparados por personas que no sean de Woodstream Corporation o las personas que la compañía designe.

La presente garantía reemplaza a todas las otras garantías, explícitas o implícitas tales como, entre otras, las garantías implícitas de comercialización e idoneidad para un propósito particular. No se extenderá por un plazo mayor a la duración de la garantía expresa indicada en la presente, y el recurso por las violaciones de cualquier garantía se limitará a la reparación o reemplazo del producto defectuoso en conformidad con los términos aquí especificados. Woodstream Corporation no será responsable por daños consecuentes o incidentales de ninguna clase.

Esta garantía le proporciona a usted derechos legales específicos y también puede tener otros derechos legales que pueden variar según el lugar.



# Registro del producto

Registre el producto en línea en [www.mosquitomagnet.com](http://www.mosquitomagnet.com) o envíe por correo el formulario debidamente llenado hoy mismo:  
Woodstream® Corporation, Attn: Mosquito Magnet® Consumer Care, 69 North Locust Street, Lititz, PA 17543

Nombre	Apellido		
Dirección			
Ciudad	Estado/provincia	Código postal	País
Número de teléfono	Dirección de correo electrónico	<input type="checkbox"/> Sí, deseo recibir actualizaciones del producto por correo.	

**1. ¿Dónde compró este producto?**

Sitio web \_\_\_\_\_  Nombre de la tienda \_\_\_\_\_  Centro de servicios \_\_\_\_\_

**2. ¿Cómo se enteró acerca de Mosquito Magnet®? (marque todas las respuestas que correspondan)**

Propaganda de radio  Correo  Propaganda de la TV  Amigo/familiar  Sitio web  Propaganda de revista  
 Propaganda de periódico  Artículo en revista (periódico, revista, TV, etc.)  Catálogo  Muestra en la tienda  Otros

**3. En su casa, ¿quién decidió la compra de Mosquito Magnet?**

Hombre  Mujer  Ambos

**4. ¿Cuál es su estado civil?**

Soltero/a  Casado/a

**5. ¿Hay niños en su hogar?**

Sí  No

**6. ¿Cuáles son las dos razones más importantes que influenciaron su compra?**

Protección contra mosquitos que pueden transmitir enfermedades  Comodidad  
 La ciencia/tecnología del producto  Regalo  
 Recomendación de un amigo/familiar  Otros  
 Recomendación de un vendedor

**7. ¿Cuál es su edad?**

25 – 35  36 – 45  46 – 55  56 – 65  66+

**8. ¿Cuál es su nivel de educación?**

Diploma de secundaria  Título universitario  Título de maestría  Título de doctorado  Técnico/profesional

**9. ¿Cuál es su ingreso familiar anual?**

\$25,000 – 39,999  \$40,000 – 59,999  \$60,000 – 89,999  Over \$90,000

**10. ¿Qué otra marca de producto contra mosquitos ha intentado utilizar?**

Cazadores  Rociadores  Pesticidas  Otras trampas en base a CO<sub>2</sub>, Nombre: \_\_\_\_\_

**11. ¿Estaría dispuesto a ofrecer un testimonio después de estar completamente convencido de la efectividad de la trampa Mosquito Magnet?**

Sí  No

**12. ¿Están las instrucciones de ensamblaje y operación explicadas clara y simplemente?**

Sí  No

**13. ¿Necesitó atención al cliente?**

Sí  No

## INFORMACION NECESARIA

Con el fin de registrar este producto correctamente con Woodstream® Corporation, es necesario obtener la información siguiente.

**Modelo:** Encierre en un círculo uno de los siguientes

Patriot Independence™ Executive

No. de serie:

Fecha de compra:

Por favor, visite [www.mosquitomagnet.com](http://www.mosquitomagnet.com) para obtener información sobre un proveedor de servicio local.

**Confidencialidad del consumidor:** Toda la información recolectada en esta tarjeta de respuesta es solamente para propósitos de venta y marketing de Woodstream® Corporation. Ninguna parte de la información que usted proporcione será vendida o alquilada a otra compañía, organización o agente para ningún propósito. Ninguna parte de esta información será colocada en el sitio web de la compañía ni en ningún otro medio que pueda ser de acceso público. Si desea realizar comentarios o testimonios adicionales acerca del producto, por favor diríjalos por separado y envíelos a nuestro Departamento de Marketing a la dirección que aparece dentro del manual.

